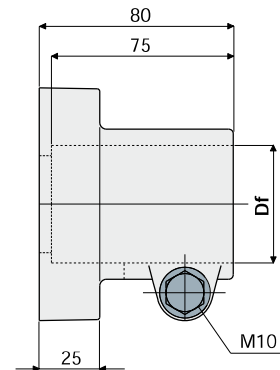
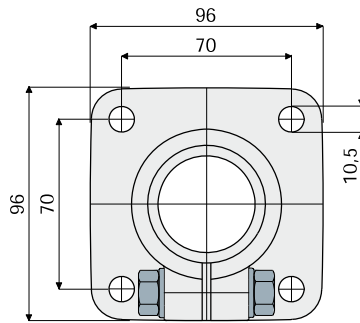


# Bearing heads

## Part. 212 Bearing head



Df Bore for tubes of		Zinc plated bolts and nuts	Stainless steel AISI 304 bolts and nuts
(mm)	(Inches)	Code	Code
48,3	1" 1/2	212 / 80650	212 / 80651
50,8	-	212 / 83208	212 / 83110

**MATERIALS:** Bearing head made of reinforced polyamide black colour; bolts and nuts made of stainless steel AISI 304 or zinc plated steel.

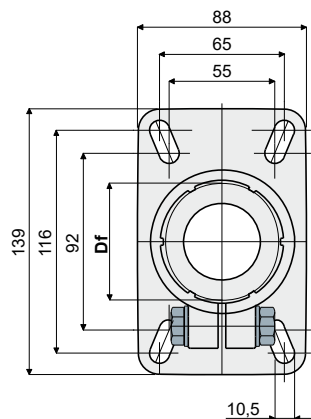
**FEATURES:** Max tightening torque 3,6 Kg-m.

**BOX QUANTITY:** 8 pieces.

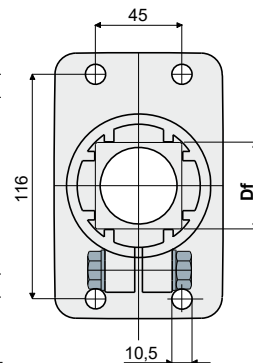
**ON REQUEST:**

- Bearing heads: In reinforced polypropylene, other colours.
- Box Quantity: According to your request.
- Assembling of: Bolts and nuts.

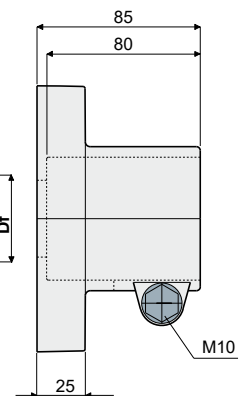
## Part. 208 Bearing head



For round tubes



For square tubes



Df Bore for tubes of		Zinc plated bolts and nuts	Stainless steel AISI 304 bolts and nuts
(mm)	(Inches)	Code	Code
60,3	2"	208 / 80764	208 / 80765
50,8	-	208 / 82072	208 / 82073
48,3	1" 1/2	208 / 80766	208 / 80767
42,4	1" 1/4	208 / 80768	208 / 80769
40x40	square tube	208 / 85110	208 / 85111
45x45	square tube	208 / 80770	208 / 80771

**MATERIALS:** Bearing head made of reinforced polyamide black colour; bolts and nuts made of stainless steel AISI 304 or zinc plated steel.

**FEATURES:** Max tightening torque 3,6 Kg-m.

**BOX QUANTITY:** 8 pieces.

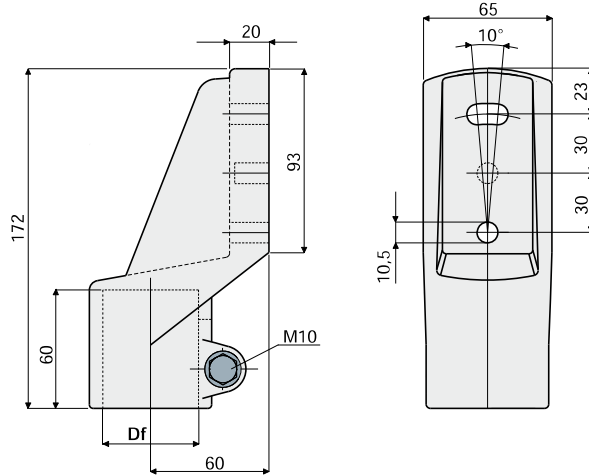
**ON REQUEST:**

- Bearing heads: In reinforced polypropylene, other colours.
- Box Quantity: According to your request.
- Assembling of: Bolts and nuts.

# Bearing heads

## Side mounting top bracket

Part. **211**



Df Bore for tubes of		Zinc plated bolts and nuts	Stainless steel AISI 304 bolts and nuts
(mm)	(Inches)	Code	Code
48,3	1" 1/2	211 / 80648	211 / 80649

**MATERIALS:** Top bracket made out of reinforced polyamide black colour; bolts and nuts made out of stainless steel AISI 304 or zinc plated steel.

**FEATURES:** Max tightening torque 3,6 Kg-m.

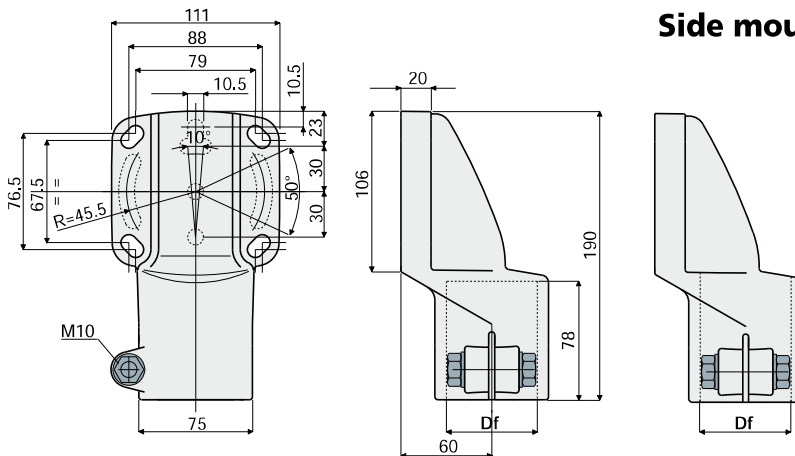
**BOX QUANTITY:** 8 pieces.

**ON REQUEST:**

- Top brackets: In reinforced polypropylene, other colours.
- Box Quantity: According to your request.
- Assembling of: Bolts and nuts.

## Side mounting top bracket

Part. **207**



Df Bore for tubes of		Zinc plated bolts and nuts	Stainless steel AISI 304 bolts and nuts
(mm)	(Inches)	Code	Code
60,3	2"	207 / 80790	207 / 80791
50,8	-	207 / 83210	207 / 83211
48,3	1" 1/2	207 / 80792	207 / 80793
42,4	1" 1/4	207 / 80794	207 / 80795
40x40	square tube	207 / 85112	207 / 85113
45x45	square tube	207 / 80796	207 / 80797
48,3	through hole	207 / 82632	207 / 82633

**MATERIALS:** Top bracket made of reinforced polyamide black colour; bolts and nuts made of stainless steel AISI 304 or zinc plated steel.

**FEATURES:** Max tightening torque 3,6 Kg-m.

**BOX QUANTITY:** 8 pieces.

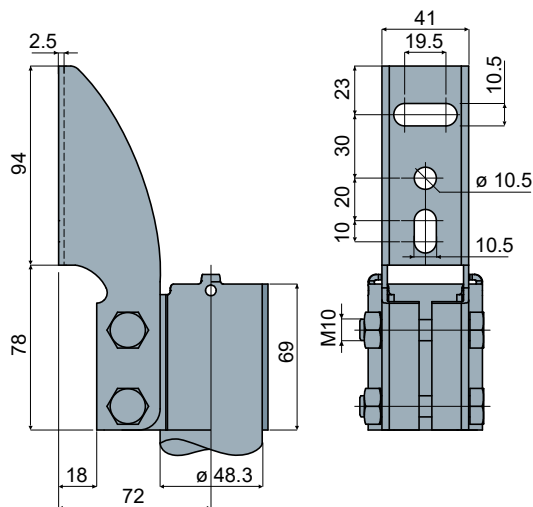
**ON REQUEST:**

- Top brackets: In reinforced polypropylene, other colours.
- Box Quantity: According to your request.
- Assembling of: Bolts and nuts.

# Bearing heads

## Part. 409 Side mounting top bracket

**NEW**



Code  
409 / 84440

**MATERIALS:** Top bracket bolts and nuts made of stainless steel AISI 304.

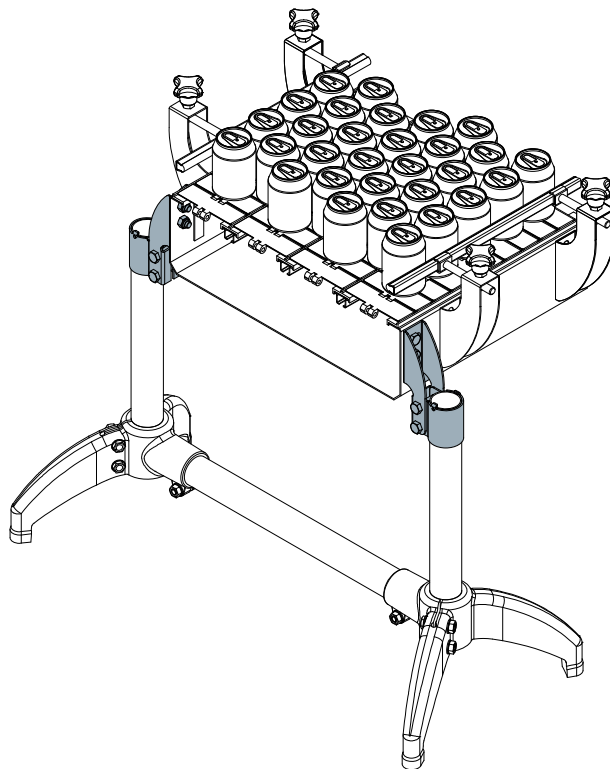
**FEATURES:** Supplied complete with bolts and nuts.

**BOX QUANTITY:** 8 pieces.

**ON REQUEST:**

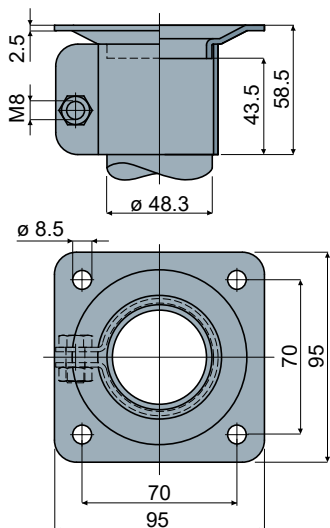
- Box Quantity: According to your request.
- Assembly of: Bolts and nuts.

### Example of application



## Part. 402 Bearing head

**NEW**



Code  
402 / 84324

**MATERIALS:** Bearing head bolts and nuts made of stainless steel AISI 304.

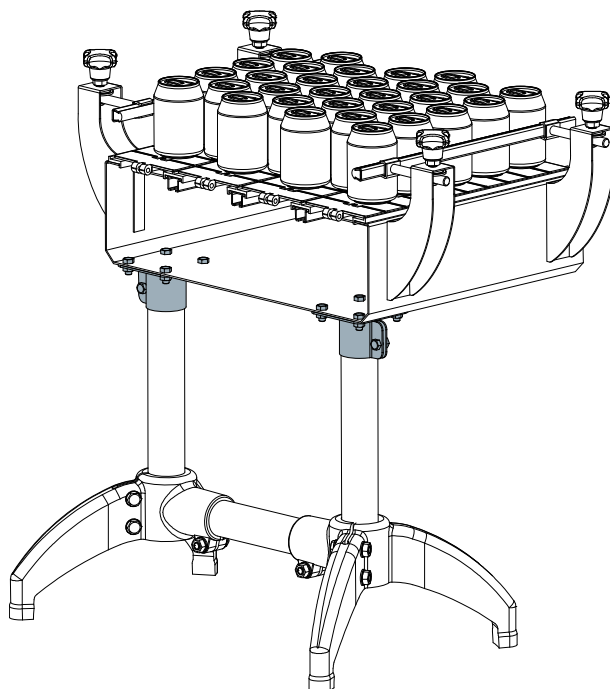
**FEATURES:** Supplied complete with bolts and nuts.

**BOX QUANTITY:** 8 pieces.

**ON REQUEST:**

- Box Quantity: According to your request.
- Assembly of: Bolts and nuts.

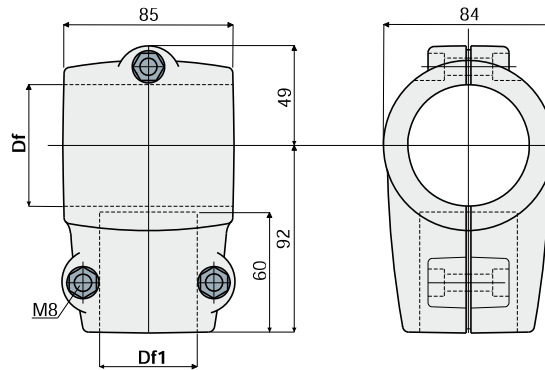
### Example of application



# Connecting joints

## Connection joint for round tubes

Part. **210**



Df		Df1		Zinc plated bolts and nuts	Stainless steel AISI 304 bolts and nuts
Bore for tubes of		Bore for tubes of		Code	Code
(mm)	(Inches)	(mm)	(Inches)		
60,3	2"	48,3	1" 1/2	210 / 80638	210 / 80639
60,3	2"	42,4	1" 1/4	210 / 80640	210 / 80641
48,3	1" 1/2	48,3	1" 1/2	210 / 80642	210 / 80643
48,3	1" 1/2	42,4	1" 1/4	210 / 80644	210 / 80645
42,4	1" 1/4	42,4	1" 1/4	210 / 80646	210 / 80647

**MATERIALS:** Joint made of reinforced polyamide black colour; bolts and nuts made of stainless steel AISI 304 or zinc plated steel.

**FEATURES:** Max tightening torque 2 Kg·m.

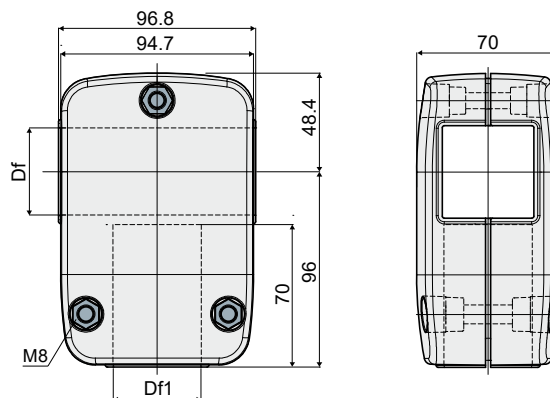
**BOX QUANTITY:** 8 pieces.

**ON REQUEST:**

- Joints: In reinforced polypropylene, other colours.
- Box Quantity: According to your request.
- Assembling of: Bolts and nuts.

## Connection joint for square tubes

Part. **210**



Df	Df1	Zinc plated bolts and nuts	Stainless steel AISI 304 bolts and nuts
Bore for tubes of	Bore for tubes of	Code	Code
(mm)	(mm)		
40x40	40x40	210 / 85114	210 / 85115
45x45	45x45	210 / 84132	210 / 84133

**MATERIALS:** Joint made of reinforced polyamide black colour; bolts and nuts made of stainless steel AISI 304 or zinc plated steel.

**FEATURES:** Max tightening torque 2 Kg·m.

**BOX QUANTITY:** 8 pieces.

**ON REQUEST:**

- Joints: In reinforced polypropylene, other colours.
- Box Quantity: According to your request.
- Assembling of: Bolts and nuts.