

A150



"EUROMODEL" FIXED LEVER WITH FEMALE THREADED INSERT

PROTECTED MODEL

Material:

Special high resistance glass fiber reinforced technopolymer. Oils and greases resistant.

Surface:

Satin.

Colour:

Black (RAL 9011).

Central Cap:

grey polyamide (RAL 7035).

Main Insert:

Zinc plated steel insert, with right through threaded bore (thread tolerance 6H).

Alternative cap colours

Orange (RAL 2004 cod. 02)

Blue (RAL 5015 cod. 07)

Yellow (RAL 1021 cod. 10)

Red (RAL 3000 cod. 16)

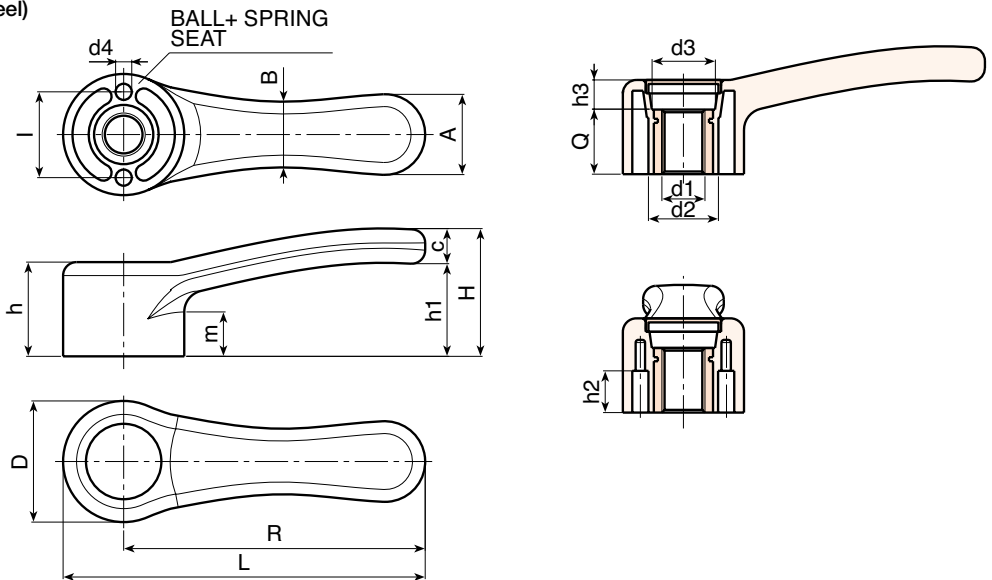
Green (RAL 6024 cod. 17)

Black (RAL 9011 cod. 01)



SPECIAL REQUESTS:

- Fixing springs and balls (zinc plated steel) available upon request.
- It's possible to supply the inserts with different materials, on request and for quantities.
- It's possible to supply the inserts with different treatment, on request and for quantities.
- It's possible to supply the lever body and cap with colours as shown in the table at page A-31 on request and for quantities.



Art.	L	R	D	H	h	h1	h2	h3	m	l	A	B	c	d2	d3	d4	d1 6H	Q	g
● A150068.TM0601	84,5	68	33	37	25	27	11,5	9	12	24	20	17	10	20	16	4	M06	16	42
● A150068.TM0801	84,5	68	33	37	25	27	11,5	9	12	24	20	17	10	20	16	4	M08	16	40
● A150068.TM1001	84,5	68	33	37	25	27	11,5	9	12	24	20	17	10	20	16	4	M10	16	40
● A150086.TM0801	104	86	36	40	28	29	14	12	13	26	24	19	11	22	18	5	M08	16	72
● A150086.TM1001	104	86	36	40	28	29	14	12	13	26	24	19	11	22	18	5	M10	16	71
● A150086.TM1201	104	86	36	40	28	29	14	12	13	26	24	19	11	22	18	5	M12	16	70
● A150112.TM1201	134,5	112	45	47	36	35	14,5	12	16	32	30	24	13	26	23,5	6	M12	24	99
● A150112.TM1401	134,5	112	45	47	36	35	14,5	12	16	32	30	24	13	26	23,5	6	M14	24	98
● A150112.TM1601	134,5	112	45	47	36	35	14,5	12	16	32	30	24	13	26	23,5	6	M16	24	95
● A150142.TM1401	169,5	142	55	52	40	36	18	13	17,5	40	37	30	16	32	28	8	M14	27	240
● A150142.TM1601	169,5	142	55	52	40	36	18	13	17,5	40	37	30	16	32	28	8	M16	27	235
● A150142.TM1801	169,5	142	55	52	40	36	18	13	17,5	40	37	30	16	32	28	8	M18	27	230

A - INDEXED AND FIXED LEVERS

ver. AUK.08-0616



Availability of stock in %

90% (●) 40% (●) 5% (●)

www.boteco.it - © All right reserved - BOTECO®
Any unauthorized reproduction is strictly forbidden