

A562



PA6
+GF

UL94
HB



INDEXED CLAMPING LEVER WITH PLASTIC PUSH BUTTON AND WITH FEMALE THREADED INSERT

Material:

Special high resistance glass fiber reinforced technopolymer. Oils and greases resistant.

Surface:

Satin.

Lever body and insert colour:

Black (RAL 9011).

Main insert:

Brass insert with threaded blind bore.
(Thread tolerance 6H).

Push Button:

Push button in black polyamide (RAL 9011).

Alternative colours for lever body and button:

Orange (RAL 2004 cod. 02)

Blue (RAL 5015 cod. 07)

Yellow (RAL 1021 cod. 10)

Red (RAL 3000 cod. 16)

Green (RAL 6024 cod. 17)

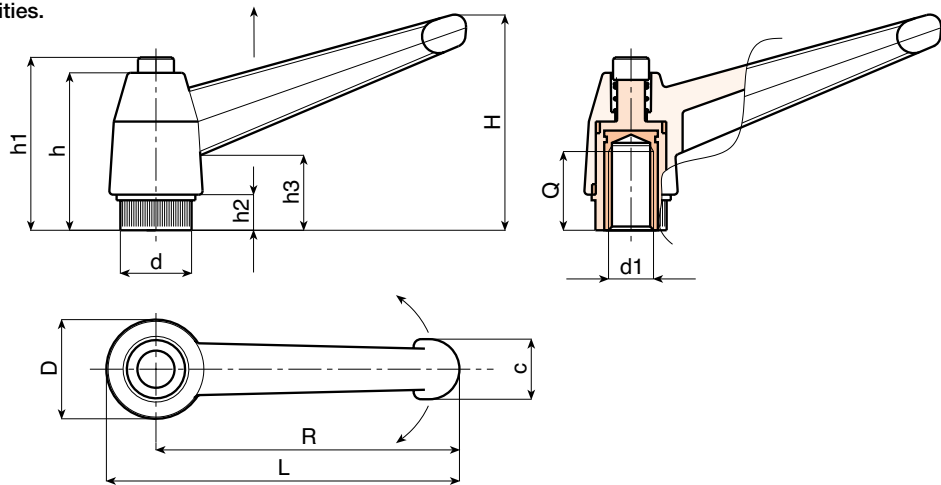
Grey (RAL 7035 cod. 13)

Spring:

Stainless steel spring (AISI 302).

SPECIAL REQUESTS:

- It's possible to supply the inserts with different materials, on request and for quantities.
- It's possible to supply the lever body and button with colours as shown in the table at page A-31 on request and for quantities.



| Art. | L | R | H | D | d | c | h | h1 | h2 | h3 | d1 6H | Q | g |
|------------------|-----|-----|----|----|------|----|----|----|----|----|-------|----|-----|
| ● A562043.TM0401 | 52 | 43 | 33 | 17 | 11,5 | 11 | 27 | 30 | 6 | 14 | M04 | 10 | 14 |
| ● A562043.TM0501 | 52 | 43 | 33 | 17 | 11,5 | 11 | 27 | 30 | 6 | 14 | M05 | 9 | 14 |
| ● A562043.TM0601 | 52 | 43 | 33 | 17 | 11,5 | 11 | 27 | 30 | 6 | 14 | M06 | 9 | 14 |
| ● A562065.TM0601 | 77 | 65 | 45 | 23 | 15 | 13 | 34 | 38 | 8 | 17 | M06 | 15 | 28 |
| ● A562065.TM0801 | 77 | 65 | 45 | 23 | 15 | 13 | 34 | 38 | 8 | 17 | M08 | 15 | 26 |
| ● A562065.TM1001 | 77 | 65 | 45 | 23 | 15 | 13 | 34 | 38 | 8 | 17 | M10 | 13 | 28 |
| ● A562083.TM0801 | 97 | 83 | 57 | 27 | 19 | 16 | 43 | 47 | 10 | 23 | M08 | 17 | 52 |
| ● A562083.TM1001 | 97 | 83 | 57 | 27 | 19 | 16 | 43 | 47 | 10 | 23 | M10 | 17 | 48 |
| ● A562083.TM1201 | 97 | 83 | 57 | 27 | 19 | 16 | 43 | 47 | 10 | 23 | M12 | 16 | 48 |
| ● A562104.TM1001 | 121 | 104 | 70 | 33 | 24 | 19 | 50 | 53 | 11 | 26 | M10 | 20 | 114 |
| ● A562104.TM1201 | 121 | 104 | 70 | 33 | 24 | 19 | 50 | 53 | 11 | 26 | M12 | 22 | 106 |
| ● A562104.TM1401 | 121 | 104 | 70 | 33 | 24 | 19 | 50 | 53 | 11 | 26 | M14 | 21 | 100 |
| ● A562104.TM1601 | 121 | 104 | 70 | 33 | 24 | 19 | 50 | 53 | 11 | 26 | M16 | 23 | 100 |