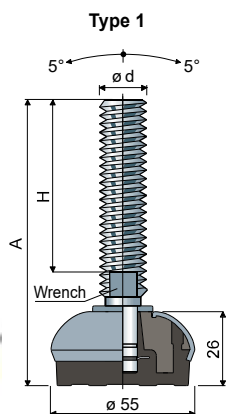


Adjustable feet, sanitizable

(base in stainless steel)

Part. **114** \varnothing **55**

NEW



		Type 1						
		Spindle measures in mm			Spindle and base in stainless steel AISI 304			
$\varnothing d$	A	H	Wrench	Black anti-slip pad	White anti-slip pad	Blue Ral 5005 anti-slip pad	Max static load (N)	
				Code	Code	Code		
M12x1,75	110	70	17	114 / 83802	114 / 85874	114 / 88141	15000	
	148	108	12	114 / 83803	114 / 85875	114 / 88142		
M16x2	102	58	13	114 / 83804	114 / 85876	114 / 88143		
	163	119	13	114 / 83805	114 / 85877	114 / 88144		
	189	145	13	114 / 83806	114 / 85878	114 / 88145		
M18x2,5	245	201	13	114 / 83807	114 / 85879	114 / 88146		20000
	201	156	15	114 / 83808	114 / 85880	114 / 88147		
M20x2,5	133	89	17	114 / 87337	114 / 87338	114 / 88148		
	151	107	17	114 / 83809	114 / 85881	114 / 88149		
	180	136	17	114 / 83810	114 / 85882	114 / 88150		
M24x3	201	157	17	114 / 83811	114 / 85883	114 / 88151		
	234	190	17	114 / 83812	114 / 85884	114 / 88152		
	282	238	17	114 / 83813	114 / 85885	114 / 88153		
M30x3,5	139	90	13	114 / 83814	114 / 85886	114 / 88154		
	176	127	13	114 / 83815	114 / 85887	114 / 88155		
	211	162	13	114 / 83816	114 / 85888	114 / 88156		
M30x3,5	250	201	13	114 / 83817	114 / 85889	114 / 88157		
	174	125	13	114 / 83818	114 / 85890	114 / 88158		
	234	185	13	114 / 83819	114 / 85891	114 / 88159		

Base material: Internal part made of reinforced polyamide; external covering made of stainless steel AISI 304; anti-slip pad made of thermoplastic rubber 68 Shore black, white or blue Ral 5005 colour.

Box quantity: 8 pieces.

Features: Co-moulded anti-slip pad allows a perfect adherence with steel base. Consequent absence of internal cavities makes foot extremely cleanable. The threaded insert guarantees the protection of the spindle thread. Feet with M12 spindle diameter are supplied with hexagonal adjustment for 17 mm. wrench.

Washers UNI 6592-69 - Box quantity: 24 pieces.

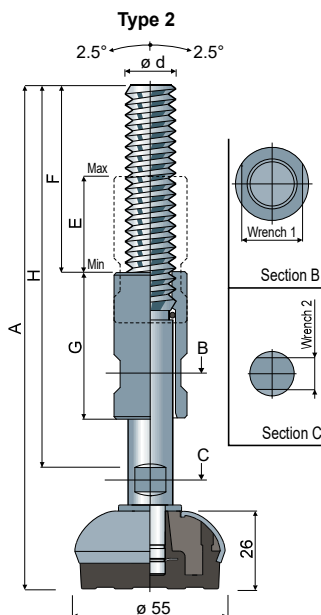
\varnothing M	M12	M14	M16	M20	M24	M30
Smm	2,5	2,5	3	3	4	4
\varnothing A mm	24	28	30	37	44	56
Stainless steel codes	7287	7288	7291	7292	7294	7296

Nuts UNI 5588-65 - Box quantity: 24 pieces.

\varnothing d	M12	M14	M16	M20	M24	M30
Smm	10	11	13	16	19	24
Ch. mm	19	22	24	30	36	46
Stainless steel codes	7273	7274	7277	7278	7280	7282

On request

- Spindles with: Sunk hexagon head • second wrench seat head • hexagon wrench seat • threads with other pitches and lengths • stainless steel AISI 316.
- Box quantity: Not standard.
- Assembling of: Nuts • washers.



NEW

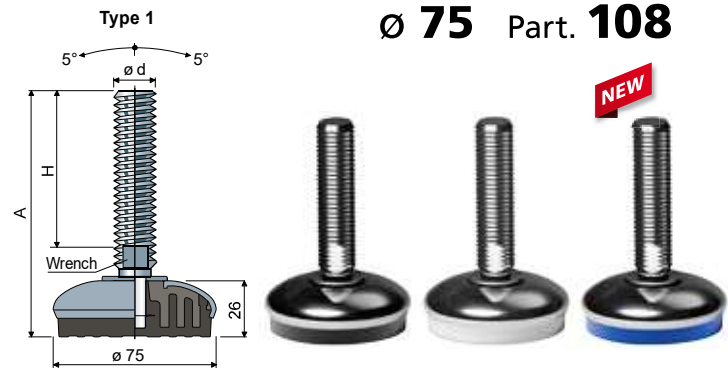
		Type 2									
		Spindle measures in mm					Spindle and base in stainless steel AISI 304				
$\varnothing d$	A	H	F	E	G	Wrench 1	Wrench 2	Black anti-slip pad	White anti-slip pad	Blue Ral 5005 anti-slip pad	Max static load (N)
								Code	Code	Code	
M16x2	200	159	73	39	60	22	12	114 / 88008	114 / 88010	114 / 88160	20000
	260	220	100	78	100	22	12	114 / 88009	114 / 88011	114 / 88161	
M20x2,5	200	159	73	39	60	25	13	114 / 85164	114 / 85892	114 / 88162	
	260	220	100	78	100	25	13	114 / 85165	114 / 85893	114 / 88163	
M24x3	200	159	73	39	60	30	17	114 / 88012	114 / 88014	114 / 88164	
	260	220	100	78	100	30	17	114 / 88013	114 / 88015	114 / 88165	

Adjustable feet, sanitizable

(base in stainless steel)

Ø 75 Part. 108

Type 1							
Spindle measures in mm				Spindle and base in stainless steel AISI 304			
ød	A	H	Wrench	Black anti-slip pad	White anti-slip pad	Blue Ral 5005 anti-slip pad	Max static load (N)
				Code	Code	Code	
M12x1,75	109	70	17	108 / 83540	108 / 85894	108 / 88166	17000
M14x2	148	108	12	108 / 83541	108 / 85895	108 / 88167	
M16x2	102	58	13	108 / 83542	108 / 85896	108 / 88168	
	163	119	13	108 / 83543	108 / 85897	108 / 88169	
	189	145	13	108 / 83544	108 / 85898	108 / 88170	
M18x2,5	245	201	13	108 / 83545	108 / 85899	108 / 88171	
	201	157	15	108 / 83546	108 / 85900	108 / 88172	
	135	89	17	108 / 87335	108 / 87336	108 / 88173	
M20x2,5	153	107	17	108 / 83547	108 / 85901	108 / 88174	
	182	136	17	108 / 83548	108 / 85902	108 / 88175	
	203	157	17	108 / 83549	108 / 85903	108 / 88176	
	236	190	17	108 / 83550	108 / 85904	108 / 88177	
M24x3	284	238	17	108 / 83551	108 / 85905	108 / 88178	
	139	90	19	108 / 83552	108 / 85906	108 / 88179	
	176	127	19	108 / 83553	108 / 85907	108 / 88180	
	211	162	19	108 / 83554	108 / 85908	108 / 88181	
M30x3,5	250	201	19	108 / 83555	108 / 85909	108 / 88182	
	174	125	24	108 / 83556	108 / 85910	108 / 88183	
	234	185	24	108 / 83557	108 / 85911	108 / 88184	

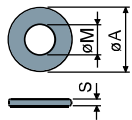


Base material: Internal part made of reinforced polyamide; external covering made of stainless steel AISI 304; anti-slip pad made of thermoplastic rubber 68 Shore black, white or blue Ral 5005 colour.

Box quantity: 8 pieces.

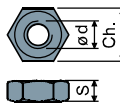
Features: Co-moulded anti-slip pad allows a perfect adherence with steel base. Consequent absence of internal cavities makes foot extremely cleanable. The threaded insert guarantees the protection of the spindle thread. Feet with M12 spindle diameter are supplied with hexagonal adjustment for 17 mm. wrench.

Washers UNI 6592-69 - Box quantity: 24 pieces.



ø M	M12	M14	M16	M20	M24	M30
Smm	2,5	2,5	3	3	4	4
ø A mm	24	28	30	37	44	56
Stainless steel codes	7287	7288	7291	7292	7294	7296

Nuts UNI 5588-65 - Box quantity: 24 pieces.

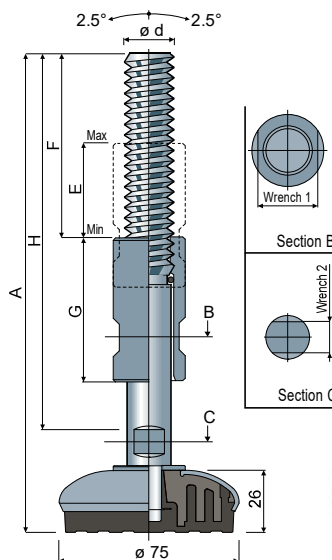


ø d	M12	M14	M16	M20	M24	M30
Smm	10	11	13	16	19	24
Ch. mm	19	22	24	30	36	46
Stainless steel codes	7273	7274	7277	7278	7280	7282

On request

- Spindles with: Sunk hexagon head • second wrench seat head • hexagon wrench seat • threads with other pitches and lengths • stainless steel AISI 316.
- Box quantity: Not standard.
- Assembling of: Nuts • washers.

Type 2

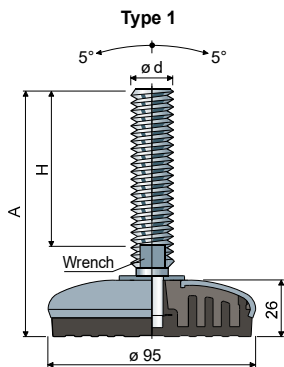


Type 2											
Spindle measures in mm						Spindle and base in stainless steel AISI 304					
ød	A	H	F	E	G	Wrench 1	Wrench 2	Black anti-slip pad	White anti-slip pad	Blue Ral 5005 anti-slip pad	Max static load (N)
								Code	Code	Code	
M16x2	200	159	73	39	60	22	12	108 / 88016	108 / 88018	108 / 88185	24000
	260	220	100	78	100	22	12	108 / 88017	108 / 88019	108 / 88186	
M20x2,5	200	159	73	39	60	25	13	108 / 84134	108 / 85912	108 / 88187	
	260	220	100	78	100	25	13	108 / 84190	108 / 85913	108 / 88188	
M24x3	200	159	73	39	60	30	17	108 / 88020	108 / 88022	108 / 88189	
	260	220	100	78	100	30	17	108 / 88021	108 / 88023	108 / 88190	

Adjustable feet, sanitizable

(base in stainless steel)

Part. **103** \varnothing **95**



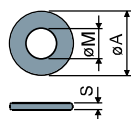
Type 1									
Spindle measures in mm					Spindle and base in stainless steel AISI 304				
$\varnothing d$	A	H	Wrench	Black anti-slip pad Code	White anti-slip pad Code	Blue Ral 5005 anti-slip pad Code	Max static load (N)		
M12x1,75	109	70	17	103 / 83043	103 / 85854	103 / 88191	17000		
M14x2	148	108	12	103 / 83052	103 / 83637	103 / 88192			
M16x2	102	58	13	103 / 83053	103 / 85856	103 / 88193	27000		
	163	119	13	103 / 83054	103 / 83651	103 / 88194			
	189	145	13	103 / 83055	103 / 85858	103 / 88195			
M18x2,5	245	201	13	103 / 83056	103 / 85859	103 / 88196	27000		
	135	89	17	103 / 87339	103 / 87340	103 / 88198			
	153	107	17	103 / 83058	103 / 85861	103 / 88199			
M20x2,5	182	136	17	103 / 83059	103 / 83627	103 / 88200	27000		
	203	157	17	103 / 83060	103 / 85862	103 / 88201			
	236	190	17	103 / 83061	103 / 85863	103 / 88202			
M24x3	284	238	17	103 / 83062	103 / 85864	103 / 88203	27000		
	139	90	19	103 / 83063	103 / 85865	103 / 88204			
	176	127	19	103 / 83064	103 / 85866	103 / 88205			
M30x3,5	211	162	19	103 / 83065	103 / 85867	103 / 88206	27000		
	250	201	19	103 / 83066	103 / 85868	103 / 88207			
	174	125	24	103 / 83067	103 / 85869	103 / 88208			
M30x3,5	234	185	24	103 / 83068	103 / 85870	103 / 88209	27000		

Base material: Internal part made of reinforced polyamide; external covering made of stainless steel AISI 304; anti-slip pad made of thermoplastic rubber 68 Shore black, white or blue Ral 5005 colour.

Box quantity: 8 pieces.

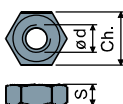
Features: Co-moulded anti-slip pad allows a perfect adherence with steel base. Consequent absence of internal cavities makes foot extremely cleanable. The threaded insert guarantees the protection of the spindle thread. Feet with M12 spindle diameter are supplied with hexagonal adjustment for 17 mm. wrench.

Washers UNI 6592-69 - Box quantity: 24 pieces.



$\varnothing M$	M12	M14	M16	M20	M24	M30
Smm	2,5	2,5	3	3	4	4
$\varnothing A$ mm	24	28	30	37	44	56
Stainless steel codes	7287	7288	7291	7292	7294	7296

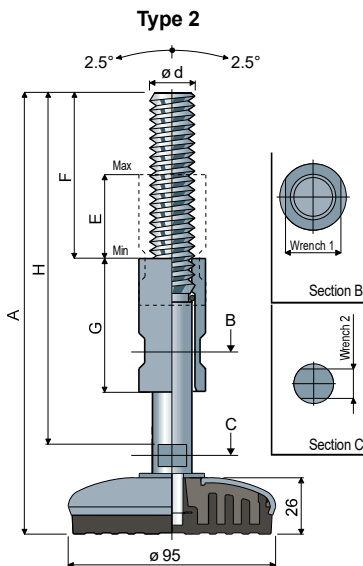
Nuts UNI 5588-65 - Box quantity: 24 pieces.



$\varnothing d$	M12	M14	M16	M20	M24	M30
Smm	10	11	13	16	19	24
Ch. mm	19	22	24	30	36	46
Stainless steel codes	7273	7274	7277	7278	7280	7282

On request

- Spindles with: Sunk hexagon head • second wrench seat head • hexagon wrench seat • threads with other pitches and lengths • stainless steel AISI 316.
- Box quantity: Not standard.
- Assembling of: Nuts • washers.



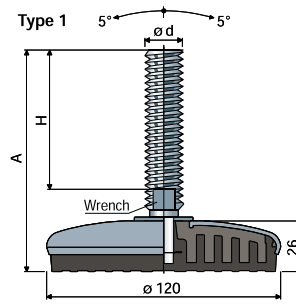
Type 2											
Spindle measures in mm						Spindle and base in stainless steel AISI 304					
$\varnothing d$	A	H	F	E	G	Wrench 1	Wrench 2	Black anti-slip pad Code	White anti-slip pad Code	Blue Ral 5005 anti-slip pad Code	Max static load (N)
M16x2	200	159	73	39	60	22	12	103 / 88024	103 / 88026	103 / 88210	27000
	260	220	100	78	100	22	12	103 / 88025	103 / 88027	103 / 88211	
M20x2,5	200	159	73	39	60	25	13	103 / 83465	103 / 85872	103 / 88212	27000
	260	220	100	78	100	25	13	103 / 84191	103 / 85873	103 / 88213	
M24x3	200	159	73	39	60	30	17	103 / 88028	103 / 88030	103 / 88214	27000
	260	220	100	78	100	30	17	103 / 88029	103 / 88031	103 / 88215	

Adjustable feet, sanitizable

(base in stainless steel)

Ø 120 Part. 110

Type 1								
Spindle measures in mm				Spindle and base in stainless steel AISI 304				
Ød	A	H	Wrench	Black anti-slip pad	White anti-slip pad	Blue Ral 5005 anti-slip pad	Max static load (N)	
				Code	Code	Code		
M12x1,75	109	70	17	110 / 83574	110 / 85949	110 / 88260	17000	
M14x2	148	108	12	110 / 83575	110 / 85950	110 / 88261		
M16x2	102	58	13	110 / 83576	110 / 85951	110 / 88262		
	163	119	13	110 / 83577	110 / 85952	110 / 88263		
	189	145	13	110 / 83578	110 / 85953	110 / 88264		
M18x2,5	245	201	13	110 / 83579	110 / 85954	110 / 88265		
	201	157	15	110 / 83580	110 / 85955	110 / 88266		
	135	89	17	110 / 87343	110 / 87344	110 / 88267		
M20x2,5	153	107	17	110 / 83581	110 / 85956	110 / 88268		30000
	182	136	17	110 / 83582	110 / 85957	110 / 88269		
	203	157	17	110 / 83583	110 / 85958	110 / 88270		
	236	190	17	110 / 83584	110 / 85959	110 / 88271		
M24x3	284	238	17	110 / 83585	110 / 85960	110 / 88272		
	139	90	19	110 / 83586	110 / 85961	110 / 88273		
	176	127	19	110 / 83587	110 / 85962	110 / 88274		
	211	162	19	110 / 83588	110 / 85963	110 / 88275		
M30x3,5	250	201	19	110 / 83589	110 / 85964	110 / 88276		
	174	125	24	110 / 83590	110 / 85965	110 / 88277		
	234	185	24	110 / 83591	110 / 85966	110 / 88278		

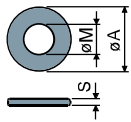


Base material: Internal part made of reinforced polyamide; external covering made of stainless steel AISI 304; anti-slip pad made of thermoplastic rubber 68 Shore black, white or blue Ral 5005 colour.

Box quantity: 8 pieces.

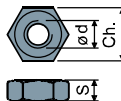
Features: Co-moulded anti-slip pad allows a perfect adherence with steel base. Consequent absence of internal cavities makes foot extremely cleanable. The threaded insert guarantees the protection of the spindle thread. Feet with M12 spindle diameter are supplied with hexagonal adjustment for 17 mm. wrench.

Washers UNI 6592-69 - Box quantity: 24 pieces.



Ø M	M12	M14	M16	M20	M24	M30
Smm	2,5	2,5	3	3	4	4
Ø A mm	24	28	30	37	44	56
Stainless steel codes	7287	7288	7291	7292	7294	7296

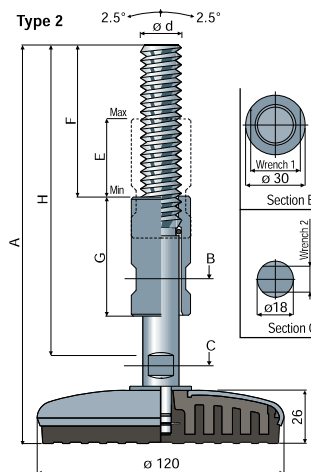
Nuts UNI 5588-65 - Box quantity: 24 pieces.



Ø d	M12	M14	M16	M20	M24	M30
Smm	10	11	13	16	19	24
Ch. mm	19	22	24	30	36	46
Stainless steel codes	7273	7274	7277	7278	7280	7282

On request

- Spindles with: Sunk hexagon head • second wrench seat head • hexagon wrench seat • threads with other pitches and lengths • stainless steel AISI 316.
- Box quantity: Not standard.
- Assembling of: Nuts • washers.

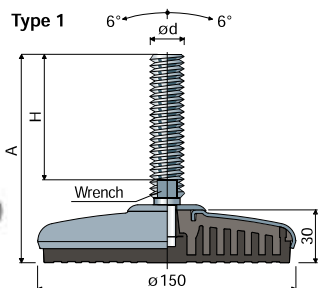


Type 2											
Spindle measures in mm				Spindle and base in stainless steel AISI 304							
Ød	A	H	F	E	G	Wrench 1	Wrench 2	Black anti-slip pad	White anti-slip pad	Blue Ral 5005 anti-slip pad	Max static load (N)
								Code	Code	Code	
M16x2	200	159	73	39	60	22	12	110 / 88048	110 / 88050	110 / 88279	30000
	260	220	100	78	100	22	12	110 / 88049	110 / 88051	110 / 88280	
M20x2,5	200	159	73	39	60	25	13	110 / 84136	110 / 85967	110 / 88281	
	260	220	100	78	100	25	13	110 / 84195	110 / 85968	110 / 88282	
M24x3	200	159	73	39	60	30	17	110 / 88052	110 / 88054	110 / 88283	
	260	220	100	78	100	30	17	110 / 88053	110 / 88055	110 / 88284	

Adjustable feet, sanitizable

(base in stainless steel)

Part. **126** \varnothing **150**



		Type 1						
		Spindle measures in mm			Spindle and base in stainless steel AISI 304			
$\varnothing d$	A	H	Wrench	Black	White	Blue Ral 5005	Max static load (N)	
				anti-slip pad	anti-slip pad	anti-slip pad		
				Code	Code	Code		
M20x2,5	139	89	17	126 / 87345	126 / 87346	126 / 88285	40000	
	157	107	17	126 / 86037	126 / 86042	126 / 88286		
	186	136	17	126 / 86038	126 / 86043	126 / 88287		
	207	157	17	126 / 86039	126 / 86044	126 / 88288		
240	190	17	126 / 86040	126 / 86045	126 / 88289			
288	238	17	126 / 86041	126 / 86046	126 / 88290			
M24x3	145	90	19	126 / 86052	126 / 86056	126 / 88291		
	182	127	19	126 / 86053	126 / 86057	126 / 88292		
	217	162	19	126 / 86054	126 / 86058	126 / 88293		
M30x3,5	257	202	19	126 / 86055	126 / 86059	126 / 88294		
	172	125	24	126 / 86060	126 / 86062	126 / 88295		
	232	185	24	126 / 86061	126 / 86063	126 / 88296		

Base material: Internal part made of reinforced polyamide; external covering made of stainless steel AISI 304; anti-slip pad made of thermoplastic rubber 68 Shore black, white or blue Ral 5005 colour.

Box quantity: 8 pieces.

Features: Co-moulded anti-slip pad allows a perfect adherence with steel base. Consequent absence of internal cavities makes foot extremely cleanable. The threaded insert guarantees the protection of the spindle thread.

Washers UNI 6592-69 - Box quantity: 24 pieces.

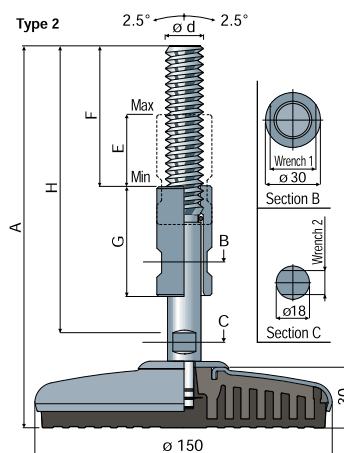
$\varnothing M$	M20	M24	M30
Smm	3	4	4
$\varnothing A$ mm	37	44	56
Stainless steel codes	7292	7294	7296

Nuts UNI 5588-65 - Box quantity: 24 pieces.

$\varnothing d$	M20	M24	M30
Smm	16	19	24
Ch. mm	30	36	46
Stainless steel codes	7278	7280	7282

On request

- Spindles with: Sunk hexagon head • second wrench seat head • hexagon wrench seat • threads with other pitches and lengths • stainless steel AISI 316.
- Box quantity: Not standard.
- Assembling of: Nuts • washers.



		Type 2									
		Spindle measures in mm			Spindle and base in stainless steel AISI 304						
$\varnothing d$	A	H	F	E	G	Wrench 1	Wrench 2	Black	White	Blue Ral 5005	Max static load (N)
								anti-slip pad	anti-slip pad	anti-slip pad	
				Code	Code	Code					
M16x2	204	159	73	39	60	22	12	126 / 88056	126 / 88058	126 / 88297	40000
	264	220	100	78	100	22	12	126 / 88057	126 / 88059	126 / 88298	
M20x2,5	204	159	73	39	60	25	13	126 / 86047	126 / 86049	126 / 88299	
	264	220	100	78	100	25	13	126 / 86048	126 / 86050	126 / 88300	
M24x3	204	159	73	39	60	30	17	126 / 88060	126 / 88062	126 / 88301	
	264	220	100	78	100	30	17	126 / 88061	126 / 88063	126 / 88302	