

4-LOBE HANDWHEEL WITH CAP AND THREADED STUD

G747



Material:

Reinforced polyamide. Oils and greases resistant.

Surface:

Satin.

Colour:

Black (RAL 9011).

Central Cap:

Grey polyamide (RAL 7035 cod. 13).

Alternative Cap Colour:

Orange (RAL 2004 cod. 02)

Blue (RAL 5015 cod. 07)

Yellow (RAL 1021 cod. 10)

Red (RAL 3000 cod. 16)

Green (RAL 6024 cod. 17)

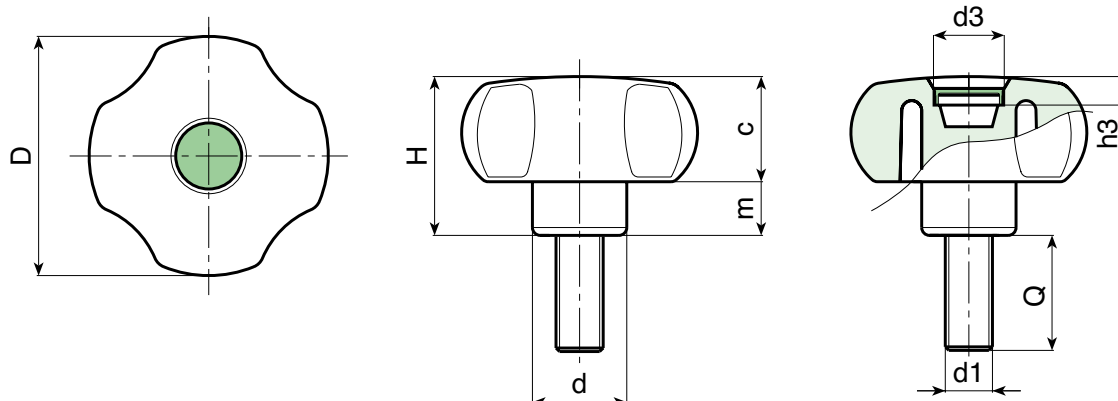
Black (RAL 9011 cod. 01)

Main Insert:

Zinc plated steel threaded stud (tolerance 6g).

SPECIAL REQUESTS:

- It is possible to supply inserts in different lengths or by special design, on request and for quantities.
- It is possible to supply inserts in different materials, on request and for quantities.
- It is possible to supply colours as shown in the table on page G-27, on request and for quantities.



	art.	D	H	d	c	m	d3	h3	LM	d1	εH	Q	△ g
●	G74740.TM06X..01	40,5	29,5	15,5	18,5	11	20	7,5	100	M06	A.R.	-	-
●	G74740.TM08X..01	40,5	29,5	15	18,5	11	20	7,5	100	M08	A.R.	-	-
●	G74740.TM10X..01	40,5	29,5	17,5	18,5	11	20	7,5	100	M10	A.R.	-	-
●	G74740.TM12X..01	40,5	29,5	21	18,5	11	20	7,5	100	M12	A.R.	-	-
●	G74750.TM06X..01	49	32	20,5	21,5	11	20	7,5	120	M06	A.R.	-	-
●	G74750.TM08X..01	49	32	20,5	21,5	11	20	7,5	120	M08	A.R.	-	-
●	G74750.TM10X..01	49	32	20,5	21,5	11	20	7,5	120	M10	A.R.	-	-
●	G74750.TM12X..01	49	32	20,5	21,5	11	20	7,5	120	M12	A.R.	-	-
●	G74760.TM08X..01	59	40	23	25	15	22	7,5	120	M08	A.R.	-	-
●	G74760.TM10X..01	59	40	23	25	15	22	7,5	120	M10	A.R.	-	-
●	G74760.TM12X..01	59	40	23	25	15	22	7,5	120	M12	A.R.	-	-
●	G74760.TM14X..01	59	40	23	25	15	22	7,5	120	M14	A.R.	-	-

Enter the stud length choice in the two .. of the article code. Lengths by request with 150 pieces minimum quantity.

LM = Maximum mouldable length.

A.R. = by request.

Presumable presence in the stock in %

() 90% (●) 40% (●) 5% (●) |

BOTECO® - © All right reserved - www.boteco.it

Any unauthorized reproduction is strictly forbidden



BOTECO

G - LOCKING
HANDWHEELS