

# KNOB WITH THREADED FEMALE INSERT

## G796



**Material:**

Reinforced polyamide.  
Oils and greases resistant.

**Surface:**

Satin.

**Colour:**

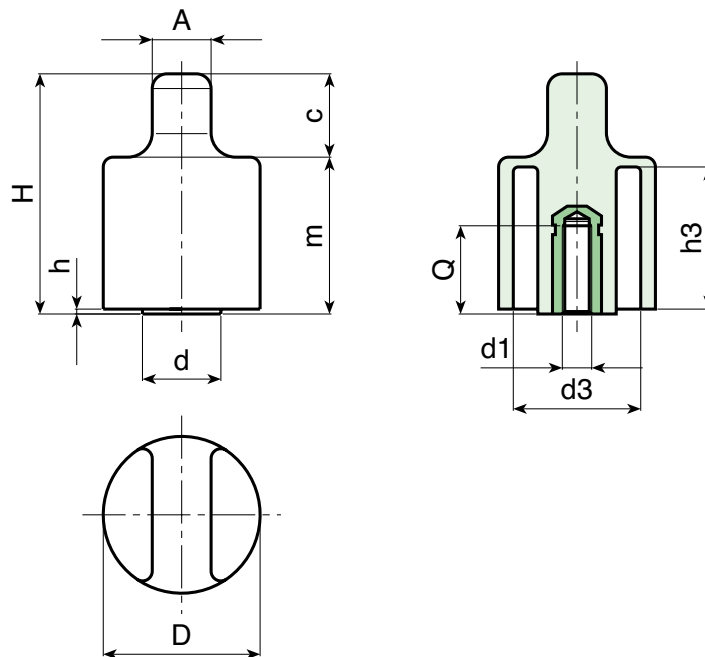
Black (RAL 9011).

**Main Insert:**

Brass blind threaded bush (tolerance 6H).

**SPECIAL REQUEST:**

- It is possible to supply the inserts in different materials, on request and for quantities.
- It is possible to supply colours as shown in the table at pag. G-27, on request and for quantities.



	art.	D	H	d	A	c	m	h	h3	d3	d1 6H	Q	g
●	G79632.TM0601	32	49	16	12	15	34	1	29	25,5	M06	16	33
●	G79632.TM0801	32	49	16	12	15	34	1	29	25,5	M08	14	35
●	G79632.TM1001	32	49	16	12	15	34	1	29	25,5	M10	13	36

Presumable presence in the stock in %

90% (●) 40% (●) 5% (●) |

BOTECO® - © All right reserved - [www.boteco.it](http://www.boteco.it)  
Any unauthorized reproduction is strictly forbidden



**BOTECO**

**G - LOCKING  
HANDWHEELS**