

LARGE WINGNUT WITH THREADED STUD

L756



Material:

Reinforced polyamide.
Oils and greases resistant.

Surface:

Satin.

Colour:

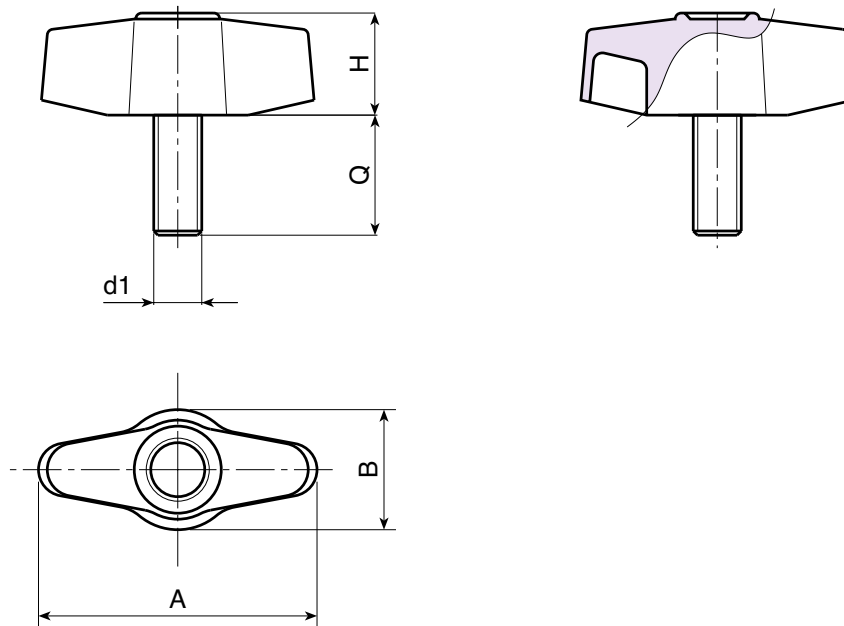
Black (RAL 9011).

Main Insert:

Zinc plated steel threaded stud (tolerance 6g).

SPECIAL REQUESTS:

- It is possible to supply inserts in different lengths or by special design, on request and for quantities.
- It is possible to supply inserts in different materials, on request and for quantities.
- It is possible to supply colours as shown in the table on page L-27, on request and for quantities.



Art.	A	B	H	LM	d1 6g	Q	g
L75648.TM06X..01	45	20	17	50	M06	16-20	14,5-15
L75648.TM08X..01	45	20	17	50	M08	16-20-25-30-35-50	17-18,5-20-21,5-23-26
L75648.TM10X..01	45	20	17	50	M10	20-25-30	26-28,5-30

Enter the stud length choice in the two .. of the article code. Lengths by request with 150 pieces minimum quantity.

LM = Maximum mouldable length.

Presumable presence in the stock in %

() 90% (●) 40% (●) 5% (●)

BOTECO® - © All right reserved - www.boteco.it

Any unauthorized reproduction is strictly forbidden



BOTECO