



Side flanged bearing supports

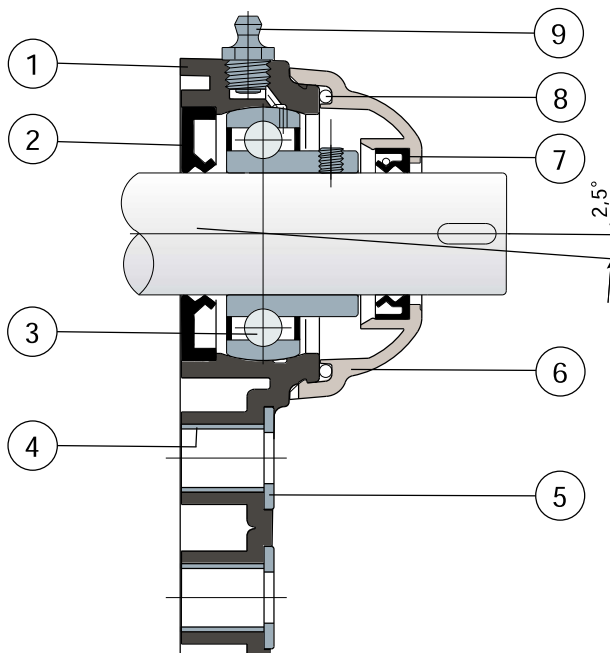
Serie **UCFB/C**



NEW

New product line with support body in PA white colour.

Full protection of bearing



- 1) Support body made out of black or white polyamide reinforced with glass fibers.
- 2) Back gasket made out of NBR rubber for turning shaft seal.
- 3) Chrome steel or stainless steel bearing AISI 440.
- 4) Spacer for fixing reinforcement made out of stainless steel AISI 304.
- 5) UNI 6592 support washer made out of stainless steel AISI 304.
- 6) Protection cover made out of polypropylene (grey colour Ral 7042).
- 7) Front gasket made out of NBR rubber for turning shaft seal.
- 8) OR gasket made out of NBR rubber
- 9) Greaser for relubrication made out of nickel-plated brass.

Maximum shaft alignment error 2,5°

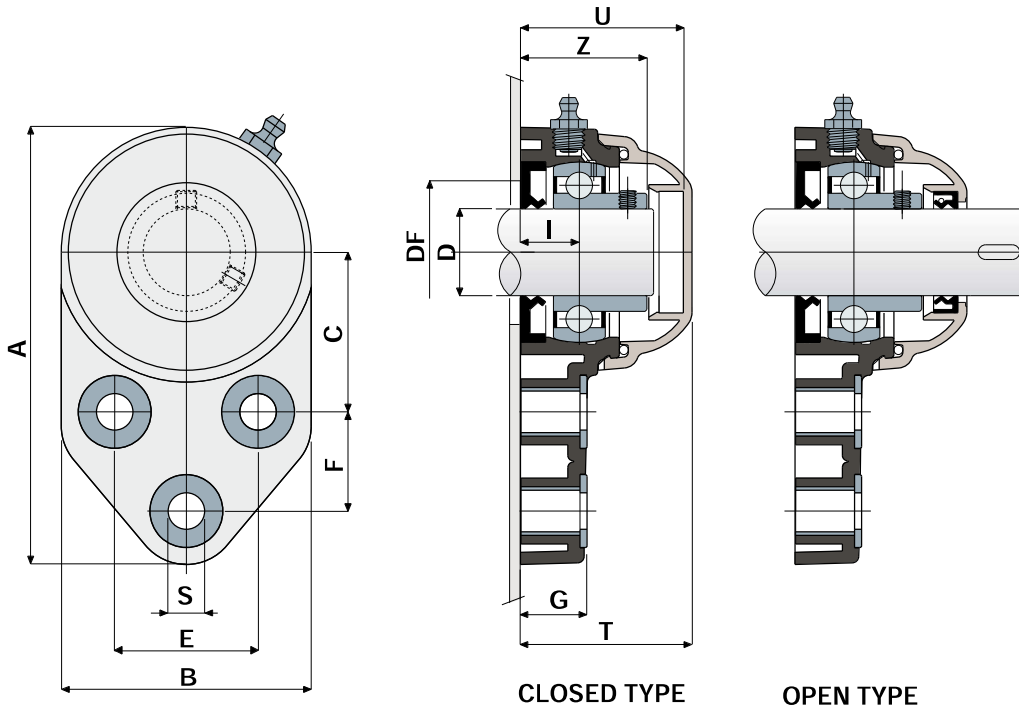
For further information please contact our technical office or sales department.



Side flanged bearing supports

Technical data

Serie **UCFB/C**



CHROME STEEL BEARING																						
D	SERIE	CODES				DIMENSIONS (mm)														Bearing load (N)		Bearing support load (N)
		Black colour		White colour		E	A	B	C	F	S	G	I	Z	U	T	DF		C	C0		
		Closed type	Open type	Closed type	Open type												Max	Min				
20	UCFB 204 C	82862	82861	84718	84719	41,3	126	72	46	28,6	10,5	19	18	36	47	49,5	45	40	12800	6600	8500	
25	UCFB 205 C	82771	82770	84720	84721	41,3	126	72	46	28,6	10,5	19	17	36,5	47	49,5	50	45	14000	7800	9000	
30	UCFB 206 C	84048	84049	84722	84723	47,6	142	85	52,4	32	10,5	26,3	20,7	41,7	53,2	55,7	60	50	19500	11300	11000	
35	UCFB 207 C	84050	84051	84724	84725	51	155	94	60,5	32	10,5	26,3	20	45,3	56,5	59	70	55	25500	15300	13000	
40	UCFB 208 C	83031	83033	84726	84727	50	165	100	60,5	41	10,5	26,3	19,5	48,5	65,5	68	78	65	32500	19800	18000	

STAINLESS STEEL BEARING AISI 440																						
D	SERIE	CODES				DIMENSIONS (mm)														Bearing load (N)		Bearing support load (N)
		Black colour		White colour		E	A	B	C	F	S	G	I	Z	U	T	DF		C	C0		
		Closed type	Open type	Closed type	Open type												Max	Min				
20	UCFB 204 C	82866	82865	84728	84729	41,3	126	72	46	28,6	10,5	19	18	36	47	49,5	45	40	8300	6550	8500	
25	UCFB 205 C	82775	82774	84730	84731	41,3	126	72	46	28,6	10,5	19	17	36,5	47	49,5	50	45	9150	7800	9000	
30	UCFB 206 C	84052	84053	84732	84733	47,6	142	85	52,4	32	10,5	26,3	20,7	41,7	53,2	55,7	60	50	12500	11200	11000	
35	UCFB 207 C	84054	84055	84734	84735	51	155	94	60,5	32	10,5	26,3	20	45,3	56,5	59	70	55	16600	15300	13000	
40	UCFB 208 C	83040	83027	84736	84737	50	165	100	60,5	41	10,5	26,3	19,5	48,5	65,5	68	78	65	20000	19000	18000	

VERSIONS WITH MEASURES IN INCHES

CHROME STEEL BEARING																						
D	SERIE	CODES				DIMENSIONS (mm)														Bearing load (N)		Bearing support load (N)
		Black colour		White colour		E	A	B	C	F	S	G	I	Z	U	T	DF		C	C0		
		Closed type	Open type	Closed type	Open type												Max	Min				
1"	25,4	UCFB 205 C	84523	84524	84907	84908	41,3	126	72	46	28,6	10,5	19	17	36,5	47	49,5	50	45	14000	7800	9000
1 1/4"	31,75	UCFB 206 C	84525	84526	84909	84910	47,6	142	85	52,4	32	10,5	26,3	20,7	41,7	53,2	55,7	60	50	19500	11300	11000

MATERIALS: Support made out of black or white colour PA + glass; chrome steel or stainless steel bearing, greaser made out of nickel plated brass; reinforcement bushings and washers made out of stainless steel AISI 304; gaskets made out of NBR rubber; cover made out of polypropylene, grey colour RAL 7042.

FEATURES: Full protection of bearing against external agents. Assembly with not shouldered shafts. Maximum shaft alignment error 2.5°.

BOX QUANTITY: 8 pieces.

ON REQUEST: Versions with body in polypropylene + glass fiber and antibacterial additive; protection cover in different colors and with customized brand; box quantity according to your request; Viton gaskets, "Long life" bearings.



Side flanged bearing supports

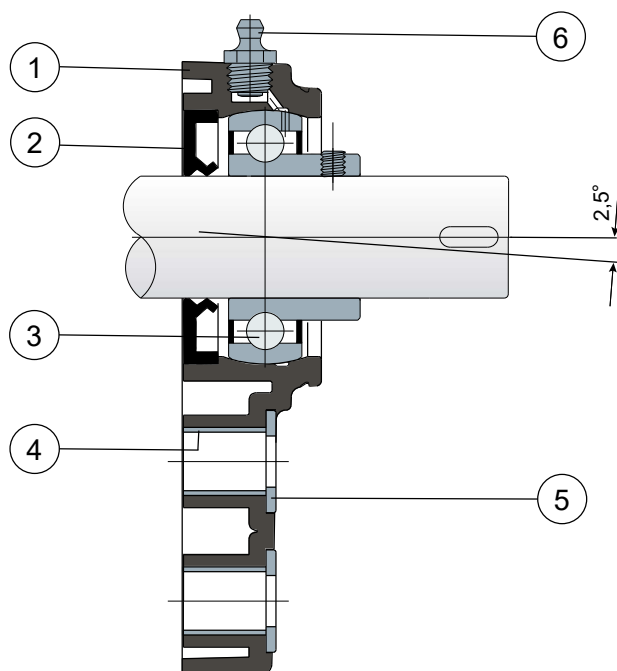
Serie **UCFB/CX**



NEW

New product line with support body in PA white colour.

Without protection cover



- 1) Support body made out of black or white polyamide reinforced with glass fibers.
- 2) Back gasket made out of NBR rubber for turning shaft seal.
- 3) Chrome steel or stainless steel bearing AISI 440.
- 4) Spacer for fixing reinforcement made out of stainless steel AISI 304.
- 5) UNI 6592 support washer made out of stainless steel AISI 304.
- 6) Greaser for relubrication made out of nickel-plated brass.

NOTE: The only difference from UCFB/C series is lack of protection cover, which can be ordered separately as an accessory.

Maximum shaft alignment error 2,5°

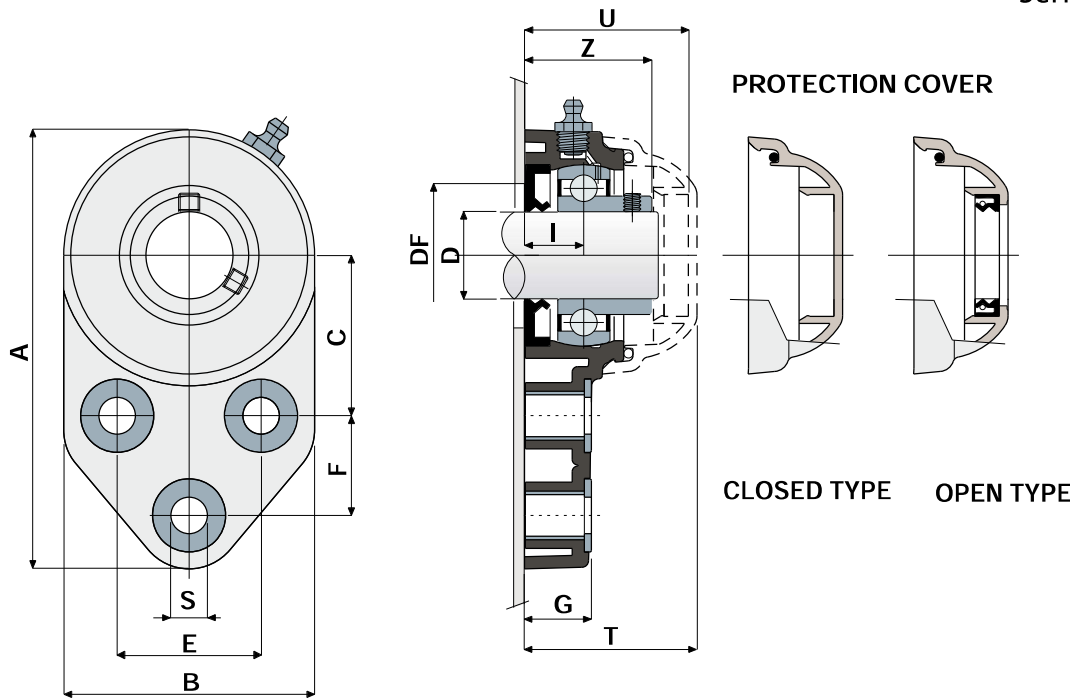
For further information please contact our technical office or sales department.



Side flanged bearing supports

Technical data

Serie **UCFB/CX**



CHROME STEEL BEARING																						
D	SERIE	Support CODES		DIMENSIONS (mm)												DF		Bearing load (N)		Bearing support load	COVER CODES	
		Black colour	White colour	E	A	B	C	F	S	G	I	Z	U	T	Max	Min	C	C0	(N)	Closed type	Open type	
20	UCFB 204 CX	83023	84738	41,3	126	72	46	28,6	10,5	19	18	36	47	49,5	45	40	12800	6600	8500	80254	80255	
25	UCFB 205 CX	82772	84739	41,3	126	72	46	28,6	10,5	19	17	36,5	47	49,5	50	45	14000	7800	9000	80075	80076	
30	UCFB 206 CX	84056	84740	47,6	142	85	52,4	32	10,5	26,3	20,7	41,7	53,2	55,7	60	50	19500	11300	11000	80011	80053	
35	UCFB 207 CX	84057	84741	51	155	94	60,5	32	10,5	26,3	20	45,3	56,5	59	70	55	25500	15300	13000	80077	80078	
40	UCFB 208 CX	82478	84742	50	165	100	60,5	41	10,5	26,3	19,5	48,5	65,5	68	78	65	32500	19800	18000	80256	80257	

STAINLESS STEEL BEARING AISI 440																						
D	SERIE	Support CODES		DIMENSIONS (mm)												DF		Bearing load (N)		Bearing support load	COVER CODES	
		Black colour	White colour	E	A	B	C	F	S	G	I	Z	U	T	Max	Min	C	C0	(N)	Closed type	Open type	
20	UCFB 204 CX	83039	84743	41,3	126	72	46	28,6	10,5	19	18	36	47	49,5	45	40	8300	6550	8500	80254	80255	
25	UCFB 205 CX	82776	84744	41,3	126	72	46	28,6	10,5	19	17	36,5	47	49,5	50	45	9150	7800	9000	80075	80076	
30	UCFB 206 CX	84058	84745	47,6	142	85	52,4	32	10,5	26,3	20,7	41,7	53,2	55,7	60	50	12500	11200	11000	80011	80053	
35	UCFB 207 CX	84059	84746	51	155	94	60,5	32	10,5	26,3	20	45,3	56,5	59	70	55	16600	15300	13000	80077	80078	
40	UCFB 208 CX	83041	84747	50	165	100	60,5	41	10,5	26,3	19,5	48,5	65,5	68	78	65	20000	19000	18000	80256	80257	

VERSIONS WITH MEASURES IN INCHES

CHROME STEEL BEARING																						
D	SERIE	Support CODES		DIMENSIONS (mm)												DF		Bearing load (N)		Bearing support load	COVER CODES	
		Black colour	White colour	E	A	B	C	F	S	G	I	Z	U	T	Max	Min	C	C0	(N)	Closed type	Open type	
1"	25,4	UCFB 205 CX	84527	84915	41,3	126	72	46	28,6	10,5	19	17	36,5	47	49,5	50	45	14000	7800	9000	80075	85202
1 1/4"	31,75	UCFB 206 CX	84528	84916	47,6	142	85	52,4	32	10,5	26,3	20,7	41,7	53,2	55,7	60	50	19500	11300	11000	80011	85203

MATERIALS: Support made out of black or white PA + glass fiber; chrome steel or stainless steel bearing; greaser made out of nickel plated brass; reinforcement bushings and washers made out of stainless steel AISI 304; gaskets made out of NBR rubber; cover made out of polypropylene, grey colour RAL 7042.

FEATURES: The difference from UCFB/C series is lack of protection cover which can be ordered separately as an accessory. Assembly with not shouldered shafts. Maximum shaft alignment error 2,5°.

BOX QUANTITY: 8 pieces.

ON REQUEST: Versions with body in polypropylene + glass fiber and antibacterial additive; protection cover in different colors and with customized brand; box quantity according to your request; Viton gaskets, "Long life" bearings.



Side flanged bearing supports

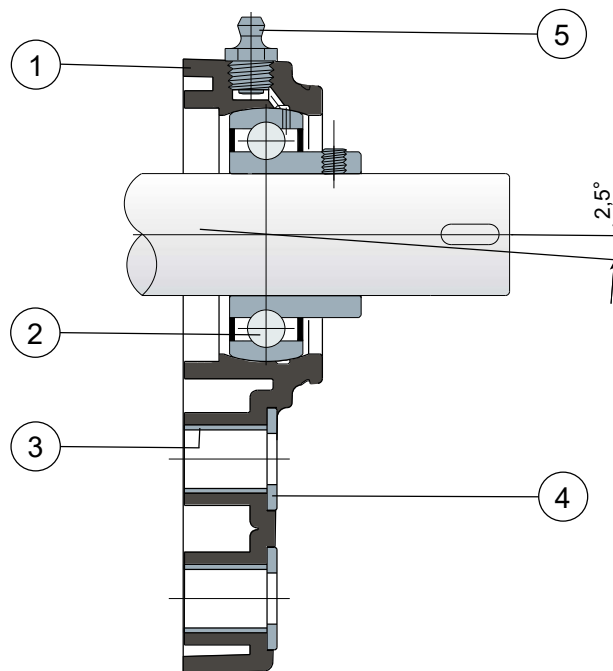
Serie **UCFB**



NEW

New product line with support body in PA white colour.

Without cover and back gasket



- 1) Support body made out of black or white polyamide reinforced with glass fibers.
- 2) Chrome steel or stainless steel bearing AISI 440.
- 3) Spacer for fixing reinforcement made out of stainless steel AISI 304.
- 4) UNI 6592 support washer made out of stainless steel AISI 304.
- 5) Greaser for relubrication made out of nickel-plated brass.

NOTE: The only difference from UCFB/C series is lack of back gasket and protection cover, which can be ordered separately as accessories.

Support dimensions respect ISO 3228 set of rules.

Maximum shaft alignment error 2,5°

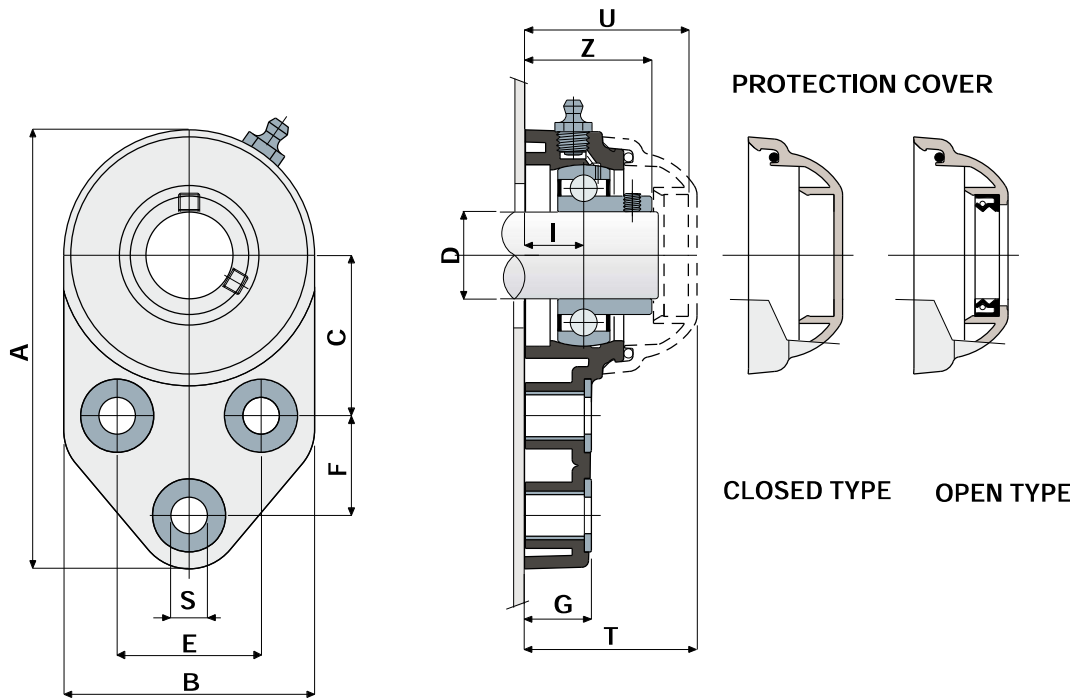
For further information please contact our technical office or sales department.



Side flanged bearing supports

Technical data

Serie **UCFB**



CHROME STEEL BEARING																						
D	SERIE	Support CODES		DIMENSIONS (mm)											DF		Bearing load (N)		Bearing support load		COVER CODES	
		Black colour	White colour	E	A	B	C	F	S	G	I	Z	U	T	Max	Min	C	C0	(N)	Closed type	Open type	
20	UCFB 204	83025	84748	41,3	126	72	46	28,6	10,5	19	18	36	47	49,5	12800	6600	8500	80254	80255	80254	80255	
25	UCFB 205	82773	84749	41,3	126	72	46	28,6	10,5	19	17	36,5	47	49,5	14000	7800	9000	80075	80076	80075	80076	
30	UCFB 206	84060	84750	47,6	142	85	52,4	32	10,5	26,3	20,7	41,7	53,2	55,7	19500	11300	11000	80011	80053	80011	80053	
35	UCFB 207	84061	84751	51	155	94	60,5	32	10,5	26,3	20	45,3	56,5	59	25500	15300	13000	80077	80078	80077	80078	
40	UCFB 208	83029	84752	50	165	100	60,5	41	10,5	26,3	19,5	48,5	65,5	68	32500	19800	18000	80256	80257	80256	80257	

STAINLESS STEEL BEARING AISI 440																						
D	SERIE	Support CODES		DIMENSIONS (mm)											DF		Bearing load (N)		Bearing support load		COVER CODES	
		Black colour	White colour	E	A	B	C	F	S	G	I	Z	U	T	Max	Min	C	C0	(N)	Closed type	Open type	
20	UCFB 204	83042	84753	41,3	126	72	46	28,6	10,5	19	18	36	47	49,5	8300	6550	8500	80254	80255	80254	80255	
25	UCFB 205	82777	84754	41,3	126	72	46	28,6	10,5	19	17	36,5	47	49,5	9150	7800	9000	80075	80076	80075	80076	
30	UCFB 206	84062	84755	47,6	142	85	52,4	32	10,5	26,3	20,7	41,7	53,2	55,7	12500	11200	11000	80011	80053	80011	80053	
35	UCFB 207	84063	84756	51	155	94	60,5	32	10,5	26,3	20	45,3	56,5	59	16600	15300	13000	80077	80078	80077	80078	
40	UCFB 208	83044	84757	50	165	100	60,5	41	10,5	26,3	19,5	48,5	65,5	68	20000	19000	18000	80256	80257	80256	80257	

VERSIONS WITH MEASURES IN INCHES

CHROME STEEL BEARING																						
D	SERIE	Support CODES		DIMENSIONS (mm)											DF		Bearing load (N)		Bearing support load		COVER CODES	
		Black colour	White colour	E	A	B	C	F	S	G	I	Z	U	T	Max	Min	C	C0	(N)	Closed type	Open type	
1"	25,4	UCFB 205	84529	84919	41,3	126	72	46	28,6	10,5	19	17	36,5	47	49,5	14000	7800	9000	80075	80076	80075	85202
1 1/4"	31,75	UCFB 206	84530	84920	47,6	142	85	52,4	32	10,5	26,3	20,7	41,7	53,2	55,7	19500	11300	11000	80011	80053	80011	85203

MATERIALS: Support made out of black or white colour PA + glass fiber; chrome steel or stainless steel bearing; greaser made out of nickel plated brass; reinforcement bushings and washers made out of stainless steel AISI 304; gaskets made out of NBR rubber; cover made out of polypropylene, grey colour RAL 7042.
FEATURES: The difference from UCFB/C series is lack of back gasket and protection cover, which can be ordered separately as accessories. Assembly with shouldered and not shouldered shafts. Maximum shaft alignment error 2,5°.
BOX QUANTITY: 8 pieces.
ON REQUEST: Versions with body in polypropylene + glass fiber and antibacterial additive; protection cover in different colors and with customized brand; box quantity according to your request; Viton gaskets, "Long life" bearings.