

## Light-duty SL



Carrying capacity: 130 daN  
 Diameters: 80-125 mm  
 Fitting: with top plate, with bolt hole  
 Brake: front

Page 15

## Standard-duty NL-NLX



Carrying capacity: 400 daN  
 Diameters: 65-280 mm  
 Fitting: with top plate, with bolt hole, with threaded stem, with Zamak stem  
 Brake: front, rear, centralised

Page 16

## Medium-duty M



Carrying capacity: 500 daN  
 Diameters: 150-200 mm  
 Fitting: with top plate  
 Brake: adjustable front

Page 18

## Heavy-duty P-PX



Carrying capacity: 750 daN  
 Diameters: 80-250 mm  
 Fitting: with top plate  
 Brake: adjustable front, rear

Page 19

## Extra heavy-duty EP



Carrying capacity: 1600daN  
 Diameters: 100-250 mm  
 Fitting: with top plate  
 Brake: adjustable rear

Page 20

## Electrowelded EE MHD



Carrying capacity: 1000 daN  
 Diameters: 100-250 mm  
 Fitting: with top plate  
 Brake: adjustable rear

Page 21

## Electrowelded EE HD-EE EHD



Carrying capacity: 3500 daN  
 Diameters: 150-400 mm  
 Fitting: with top plate  
 Brake: adjustable rear (EE HD only)

Page 22

## Twin electrowelded EEG MHD



Carrying capacity: 1000 daN  
 Diameters: 100-125 mm  
 Fitting: with top plate

Page 23

## Twin electrowelded EEG HD - EEG EHD



Carrying capacity: 4300 daN  
 Diameters: 125-300 mm  
 Fitting: with top plate

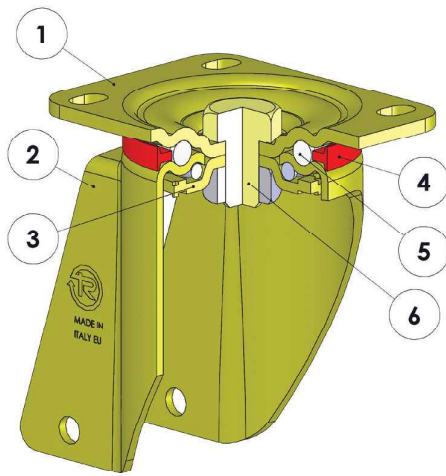
Page 24

## Scaffolding TRAB



Carrying capacity: 750 daN (according to EN 1004:2005)  
 Diameters: 125-200 mm  
 Fitting: with top plate, with solid stem, with threaded stem with leveller

Page 25



- 1) Top Plate: electrolytically colonial galvanised steel plate or AISI 304 stainless steel plate
- 2) Fork: electrolytically colonial galvanised steel plate or AISI 304 stainless steel plate
- 3) Ball Race Ring: electrolytically galvanised steel plate or AISI 304 stainless steel plate
- 4) Dust seal: orange polyamide
- 5) Swivel actions: double ball ring with grease lubrication
- 6) King pin: steel screw, class 8.8 and nut or A2 stainless steel screw and nut

## Heavy-duty P-PX - max carrying capacity 750 daN

Bracket made of thick pressed steel plate with excellent swivelling guaranteed by two ball race rings.

Precise assembly by means of highly mechanically resistant bolt and locknut anti-loosening system. The lubrication and adequate protection of the ball race rings against dust, together with the highly resistant to corrosion electrolytic galvanisation or the realisation in AISI 304 stainless steel guarantee a long duration and a reduced request for maintenance in normal conditions of use.

**Brake:** front in diameters 80-125 and adjustable rear in diameters 125-200

**Directional lock available.**

### Fittings with wheels



### Fitting with top plate

<b>P</b>	80	45	128	100x85	80x60	9	46	8	4-6 km/h
	100	45	138	100x85	80x60	9	46	8	350
	125	45	161	100x85	80x60	9	44	8	350
<b>P-PX</b>	125	60	170	140x110	105x80	11	70	12	750
	150	60	200	140x110	105x80	11	70	12	750
	160	60	205	140x110	105x80	11	70	12	750
	175	60	225	140x110	105x80	11	70	12	750
	180	60	228	140x110	105x80	11	70	12	750
	200	60	250	140x110	105x80	11	70	12	750
<b>P</b>	250	60	298	140x110	105x80	11	66	12	750