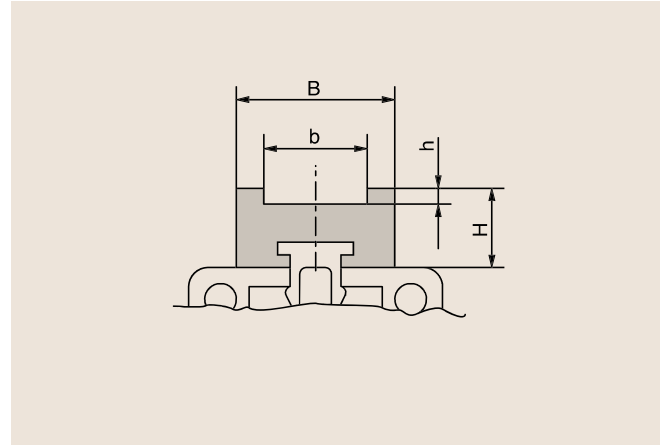


# TYPE TU



| Chain no. DIN 8187 | Chain dimensions in inches            | B  | b    | H    | h   | Article no. | Availability |
|--------------------|---------------------------------------|----|------|------|-----|-------------|--------------|
| 08B-1              | $\frac{1}{2}'' \times \frac{5}{16}''$ | 25 | 16.3 | 12.5 | 2.5 | 221 514 011 | ●            |
| 10B-1              | $\frac{5}{8}'' \times \frac{3}{8}''$  | 25 | 19.2 | 12.5 | 2.9 | 221 514 012 | ●            |
| 12B-1              | $\frac{3}{4}'' \times \frac{7}{16}''$ | 30 | 21.8 | 12.5 | 2.7 | 221 514 013 | ●            |

● Stocked ○ Available within 10 days Dimensions in mm



# TYPE TS



| Chain no. DIN 8187 | Chain dimensions in inches            | B  | b    | H    | h1  | h2  | Article no. | Availability |
|--------------------|---------------------------------------|----|------|------|-----|-----|-------------|--------------|
| 08B-1              | $\frac{1}{2}'' \times \frac{5}{16}''$ | 25 | 16.3 | 13.5 | 1.5 | 3.7 | 221 515 004 | ●            |
| 10B-1              | $\frac{5}{8}'' \times \frac{3}{8}''$  | 30 | 19.2 | 14.0 | 2.0 | 4.6 | 221 515 006 | ●            |
| 12B-1              | $\frac{3}{4}'' \times \frac{7}{16}''$ | 30 | 21.8 | 14.5 | 2.5 | 4.9 | 221 515 007 | ●            |

● Stocked ○ Available within 10 days Dimensions in mm

