

# B320

## HANDLE WITH TUBE D.20



### Materials:

#### Plastic end:

Reinforced polyamide. Resistant to oils and greases.

#### Tube:

Aluminum alloy 6060.

### Surface finish:

Plastic end: Satin.

Tube: Smooth.

### Colour:

#### Plastic end:

Black (Ral 9011).

#### Tube:

Version B320-99: Anodised silver.

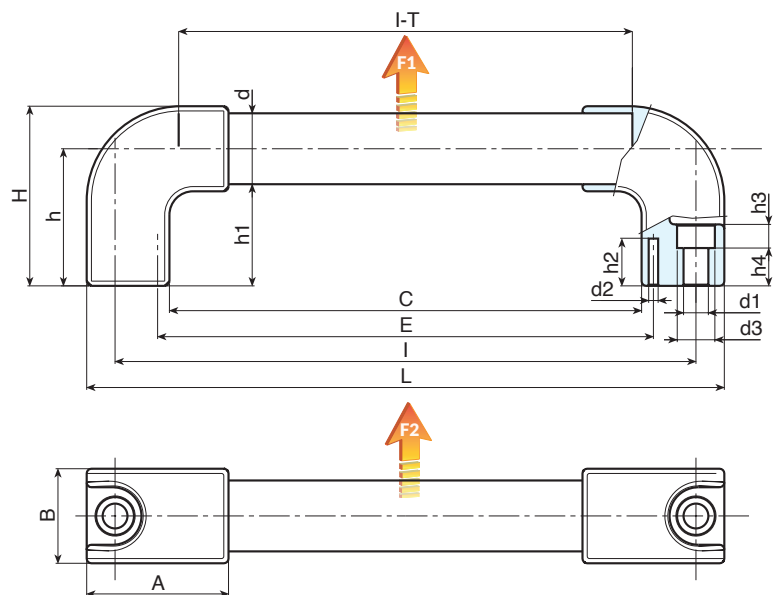
Version B320-98: Marbled black epoxy powder coating.

### Hole:

Smooth through hole obtained by moulding the plastic.

### Special requests:

- Upon request and for special quantities the handle can be supplied with custom length.
- Upon request screw caps are available.
- Upon request and for special quantities available in the colours indicated in the chart [page 805].



### Version B320-99: tube colour anodised silver

art.	L	I	C	E	A	B	T	H	h	h1	h4	h3	h2	d	d3	d2	d1	g	F1 (kN)	F2 (kN)
B320200.TG2099	220	200	162	174	50	30	45	57	43	33	7	12.5	15	20	14.5	4	8.5	130	2,4	1,85
B320250.TG2099	270	250	212	224	50	30	45	57	43	33	7	12.5	15	20	14.5	4	8.5	145	1,8	1,45
B320300.TG2099	320	300	262	274	50	30	45	57	43	33	7	12.5	15	20	14.5	4	8.5	155	1,5	1,5
B320350.TG2099	370	350	312	324	50	30	45	57	43	33	7	12.5	15	20	14.5	4	8.5	165	1,5	1,25
B320400.TG2099	420	400	362	374	50	30	45	57	43	33	7	12.5	15	20	14.5	4	8.5	176	1,4	0,85
B320500.TG2099	520	500	462	474	50	30	45	57	43	33	7	12.5	15	20	14.5	4	8.5	200	1	0,8
B320600.TG2099	620	600	562	574	50	30	45	57	43	33	7	12.5	15	20	14.5	4	8.5	225	0,9	0,75
B320700.TG2099	720	700	662	674	50	30	45	57	43	33	7	12.5	15	20	14.5	4	8.5	250	0,6	0,6

### Version B320-98: tube colour marbled black.

art.	L	I	C	E	A	B	T	H	h	h1	h4	h3	h2	d	d3	d2	d1	g	F1 (kN)	F2 (kN)
B320200.TG2098	220	200	162	174	50	30	45	57	43	33	7	12.5	15	20	14.5	4	8.5	130	2,4	1,85
B320250.TG2098	270	250	212	224	50	30	45	57	43	33	7	12.5	15	20	14.5	4	8.5	145	1,8	1,45
B320300.TG2098	320	300	262	274	50	30	45	57	43	33	7	12.5	15	20	14.5	4	8.5	155	1,5	1,5
B320350.TG2098	370	350	312	324	50	30	45	57	43	33	7	12.5	15	20	14.5	4	8.5	165	1,5	1,25
B320400.TG2098	420	400	362	374	50	30	45	57	43	33	7	12.5	15	20	14.5	4	8.5	176	1,4	0,85
B320500.TG2098	520	500	462	474	50	30	45	57	43	33	7	12.5	15	20	14.5	4	8.5	200	1	0,8
B320600.TG2098	620	600	562	574	50	30	45	57	43	33	7	12.5	15	20	14.5	4	8.5	225	0,9	0,75
B320700.TG2098	720	700	662	674	50	30	45	57	43	33	7	12.5	15	20	14.5	4	8.5	250	0,6	0,6



Stock availability as % (🛒)  
90% (●) - 40% (●) - 5% (●)