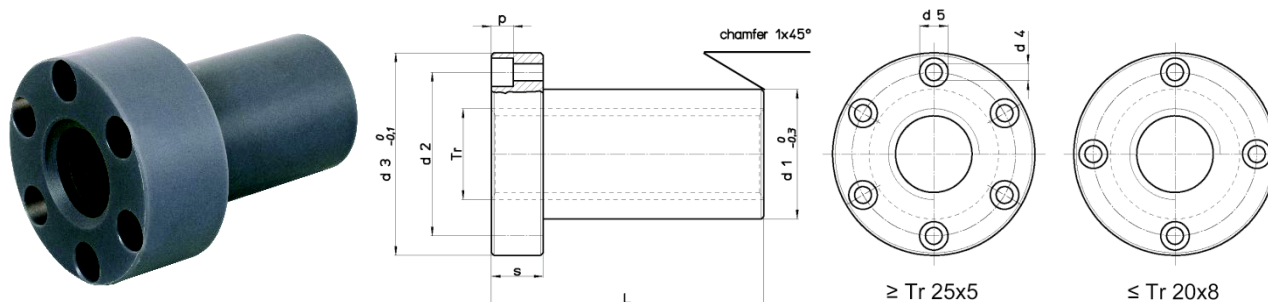




PEREMES MŰANYAG ANYA FLANGED PLASTIC NUT

Anyag műanyag **Hegeszthetőség** --- **Típus** FCS (79.017)
Material plastic **Weldable** --- **Type**



Cikkszám Code		Ø x Menet emelkedés Ø x Lead	Bekezd. Thread starts	d1 mm	d2 mm	d3 mm	d4 mm	d5 mm	p mm	L mm	s mm	Tömeg Weight (kg)	At* mm ²
jobb right	bal left												
79.017.014	79.017.011	Tr 12x3	1	18	26	37	4.5	7.5	4.2	36	12	0.016	594
79.017.038	79.017.035	Tr 16x4	1	22	32	45	5.5	9	5.2	48	16	0.030	1056
79.017.056	79.017.053	Tr 20x4	1	30	40	52	5.5	9	5.2	60	20	0.057	1696
79.017.059	---	Tr 20x8 (P4)	2	30	40	52	5.5	9	5.2	60	20	0.057	1696
79.017.086	79.017.083	Tr 25x5	1	35	48	62	6.5	11	6.5	75	25	0.094	2650
79.017.110	79.017.107	Tr 28x5	1	40	53	68	6.5	11	6.5	90	30	0.142	3600
79.017.113	---	Tr 28x10 (P5)	2	40	53	68	6.5	11	6.5	90	30	0.142	3600
79.017.135	79.017.132	Tr 30x6	1	40	53	68	6.5	11	6.5	90	30	0.135	3816
79.017.174	79.017.171	Tr 35x6	1	50	63	78	8.5	14	8.5	105	35	0.221	5277
79.017.210	79.017.207	Tr 40x7	1	55	68	84	8.5	14	8.5	120	40	0.289	6880
79.017.219	---	Tr 40x10	1	55	68	84	8.5	14	8.5	120	40	0.252	6597
79.017.261	79.017.258	Tr 50x8	1	65	80	10	10.5	17	10.5	150	50	0.476	1084

* Az orsó és az anya közötti érintkezési felület Contact surface between the screw and nut