

# B224

## FIXED HANDLE WITH THROUGH HOLE

**Material:**  
Reinforced polyamide.  
Oils and greases resistant.

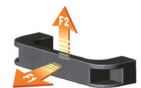
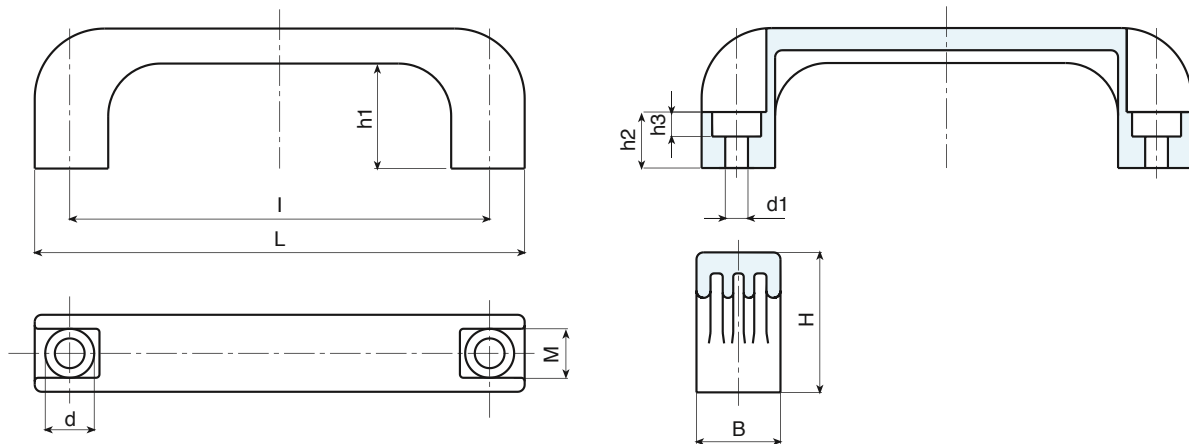
**Surface:**  
Satin.

**Colour:**  
Black (RAL 9011).

**Hole:**  
Smooth right through hole obtained by moulding the plastic.

### SPECIAL REQUEST:

- It is possible to supply colours as shown in the table at pag. B-37, on request and for quantities.



B224-01 - Black handle (RAL 9001 code 01)

Art.	L	l	B	M	H	h1	h2	h3	d	d1	$\Delta$ g	F1 (N)	F2 (N)
● B224094.TG6.501PP	110	94	21	13	37	29	13	7	11	6,5	22	2500	1250
● B224117.TG6.501PP	140	117	24	13	40	29	15	7	14	6,5	43	4400	3000
● B224117.TG8.501PP	140	117	24	13	40	29	15	9	14	8,5	39	4400	3000
● B224120.TG6.501PP	140	120	24	14	40	29	15	7	14	6,5	42	4800	3200
● B224120.TG8.501PP	140	120	24	14	40	29	15	9	14	8,5	39	4800	3200
● B224132.TG8.501PP	151	132	26	14	43	31	16	9	14	8,5	63	3400	3200
● B224180.TG8.501PP	200	180	28	17	51	39	21	9	14	8,5	74	4000	3000
● B224235.TG10.501PP	262	235	32	20	53	40	21	11	17	10,5	123	3800	3000