

VL

Volantino a 4 Razze

Handwheel 4-Spokes

COD.	D	d	d1	H	h	h1	h2	h3	Peso Weight gr	U.V.
B1VL100	100	24	21	47	15	17	36	39	189	1
B1VL120	120	25	21	49	16	15	35	38	219	1
B1VL140	140	28	23	54	20	17	38	41	331	1
B1VL160	160	32	27	56	22	21	40	43	450	1
B1VL200	200	40	32	72	25	25	47	51	773	1
B1VL250	250	50	42	82	29	29	56	60	1505	1
B1VL300	300	52	42	95	35	30	63	68	2120	1

Caratteristiche

Materiale Corpo:

Fenoplasto rinforzato di colore nero, resistente a solventi, oli, grassi ed altri agenti chimici (PF)

Parte Metallica e/o Fissaggio:

Mozzo in AVP zincato con pre-foro

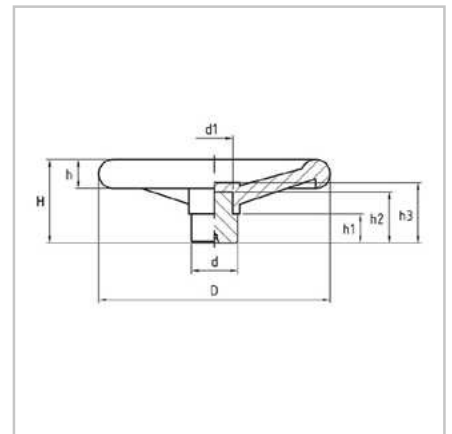
Product specification

Main Part Material:

Black phenoplast, resistant to solvents, oils, greases and other chemical agents (PF)

Metal and/or Fastening part:

Zinc plated steel hub with predrilled hole



VLG

Volantino a 4 Razze con Maniglia Girevole

Handwheel 4-Spokes with Revolving Grip

COD.	D	d	d1	d2	H	h	h1	h2	h3	L	Peso Weight gr	U.V.
B1VLG100	100	24	21	06MA	47	15	17	36	39	51	222	1
B1VLG120	120	25	21	08MA	49	16	15	35	38	70	274	1
B1VLG140	140	28	23	08MA	54	20	17	38	41	70	391	1
B1VLG160	160	32	27	10MA	56	22	21	40	43	85	558	1
B1VLG200	200	40	32	10MA	72	25	25	47	51	85	903	1
B1VLG250	250	50	42	12MA	82	29	29	56	60	98	1677	1
B1VLG300	300	52	42	12MA	95	35	30	63	68	98	2291	1

Caratteristiche

Materiale Corpo:

Fenoplasto rinforzato di colore nero, resistente a solventi, oli, grassi ed altri agenti chimici (PF)

Parte Metallica e/o Fissaggio:

Mozzo in AVP zincato con pre-foro

Altri Componenti In Plastica:

Maniglia girevole, con bocche in ottone

Product specification

Main Part Material:

Black phenoplast, resistant to solvents, oils, greases and other chemical agents (PF)

Metal and/or Fastening part:

Zinc plated steel hub with predrilled hole

Other Plastic Components:

Revolving handle, with brass bushings

