

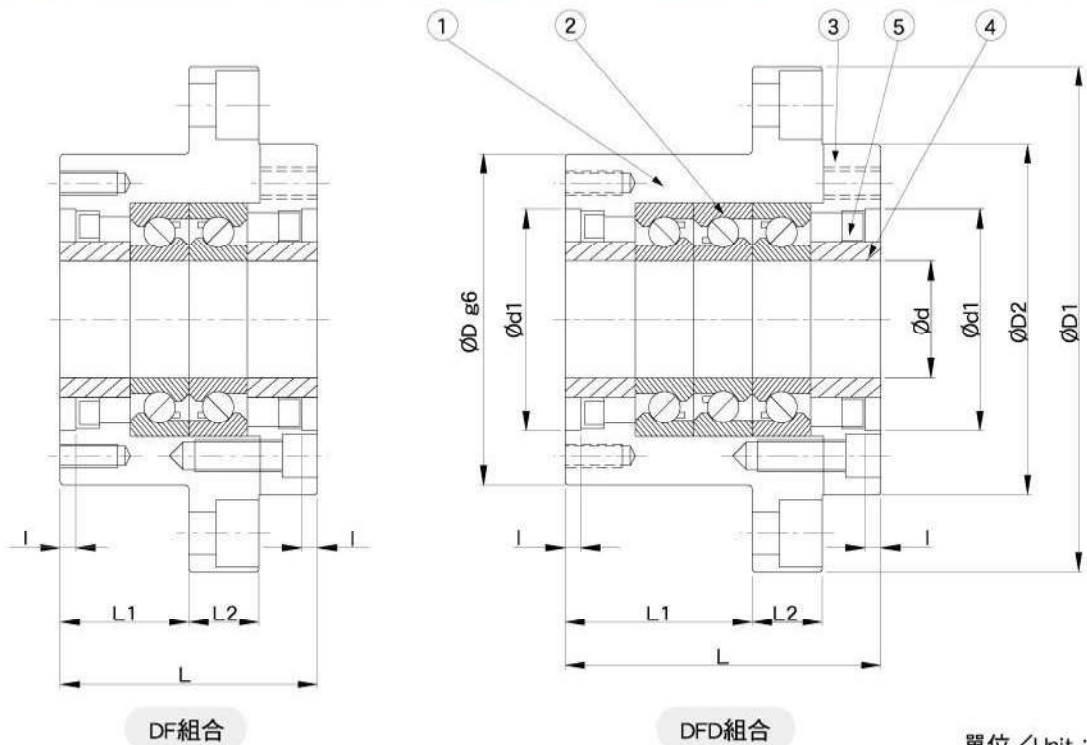
WBK型高荷重支撐座

WBK type support Unit
(heavy-load)

編號 / Part No.	部品名稱 / Part name	數量 / Qty
1	軸承座本體 / Housing	1
2	軸承 / Bearing	1組 / 1 set
3	壓板 / Holding lid	1
4	間隔圈 / Collar	2
5	軸封 / Seal	2
6	鎖固螺帽 / Lock nut	1組 / 1 set



WBK



單位 / Unit : mm

型號 Model No.	支撐座尺寸 Dimensions of support unit																	
	d	D	D1	D2	L	L1	L2	A	W	X	Y	Z	d1	I	V	P	Q	H
WBK 17DF	17	70	106	72	60	32	15	80	88	9	14	8.5	45	3	58	M5	10	M6
WBK 20DF	20	70	106	72	60	32	15	80	88	9	14	8.5	45	3	58	M5	10	M6
WBK 25DF	25	85	130	90	66	33	18	100	110	11	17	11	57	4	70	M6	12	M6
WBK 25DFD					81	48												
WBK 25DFF					96	48												
WBK 30DF	30	85	130	90	66	33	18	100	110	11	17	11	57	4	70	M6	12	M6
WBK 30DFD					81	48												
WBK 30DFF					96	48												
WBK 35DF	35	95	142	102	66	33	18	106	121	11	17	11	69	4	80	M6	12	M6
WBK 35DFD					81	48												
WBK 35DFF					96	48												
WBK 40DF	40	95	142	102	66	33	18	106	121	11	17	11	69	4	80	M6	12	M6
WBK 40DFD					81	48												
WBK 40DFF					96	48												

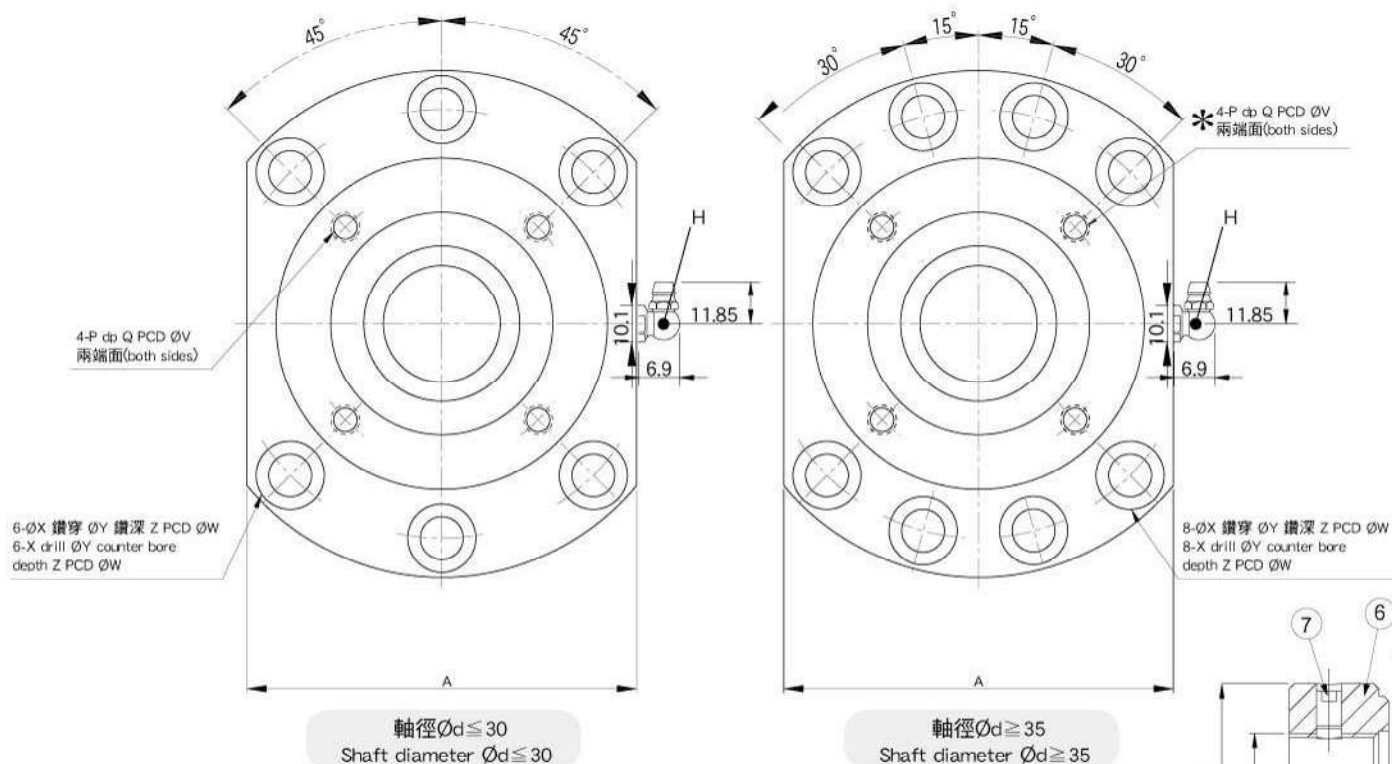
備註 (Note) :

1.軸承採用台、日系品牌大廠(P4級)斜角滾珠60°TAC。

(Inside bearings use Japanese & Taiwanese P4 grade TAC 60 degree contact ball bearing.)

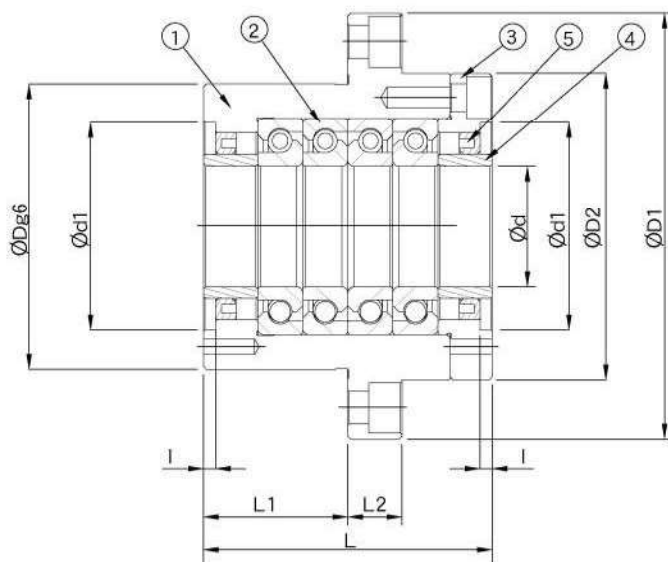
2.標準品無油嘴(標示★處),若有需要請事先告知業務人員。

(The standard type is without H, if required, please advise in advance.)

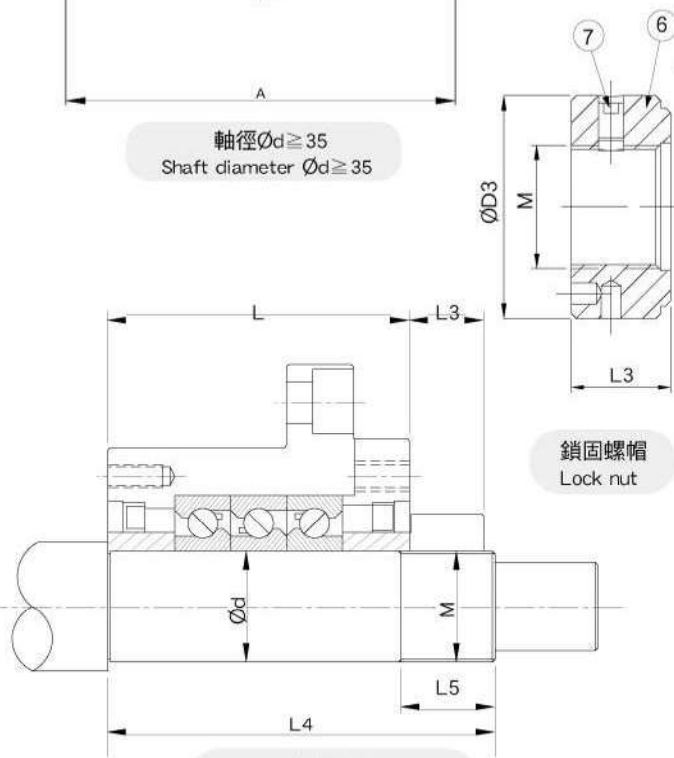


軸徑 $\phi d \leq 30$
Shaft diameter $\phi d \leq 30$

軸徑 $\phi d \geq 35$
Shaft diameter $\phi d \geq 35$



DFF組合



軸端尺寸
Dimensions of shaft end

單位/Unit : mm

型號 Model No.	基本動定格荷重 Basic dynamic load rating Ca(kgf)	軸向界限荷重 Permissible axial load (kgf)	預壓荷重 Preload (kgf)	軸方向剛性 Axial rigidity (kgf/um)	啟動力矩 Starting torque (kgf-cm)	鎖固螺帽 Lock nut			重量 Weight (Kgs)	軸端尺寸 Dimensions of shaft end		
						M	D3	L3		d	L4	L5
WBK 17DF	2240	2710	220	75	0.8-1.9	M17X1	37	18	1.24	17	81	23
WBK 20DF	2240	2710	220	75	0.8-1.9	M20X1	40	18	2	20	81	23
WBK 25DF	2910	4150	320	100	1.3-2.9				3.27		89	
WBK 25DFD	4700	8300	440	150	1.9-4	M25X1.5	45	20	3.81	25	104	26
WBK 25DFF	4700	8300	640	200	2.6-5				4.46		119	
WBK 30DF	2980	4400	340	105	1.4-3				3.18		89	
WBK 30DFD	4850	8800	460	155	2-4	M30X1.5	50	20	3.7	30	104	26
WBK 30DFF	4850	8800	680	205	2.7-5.2				4.3		119	
WBK 35DF	3150	5100	390	120	1.6-3.5				3.79		92	
WBK 35DFD	5150	10200	530	175	2.2-4.6	M35X1.5	55	22	4.45	35	107	30
WBK 35DFF	5150	10200	780	240	2.9-6				5.21		122	
WBK 40DF	3250	5300	400	125	1.7-3.7				3.65		92	
WBK 40DFD	5250	10600	540	185	2.2-4.7	M40X1.5	60	22	4.27	40	107	30
WBK 40DFF	5250	10600	800	245	2.9-6.2				5		122	

備註 (Note) :

3.*螺桿護套正確孔位請洽原廠。

(Dimensions with * mark can be used for dust cover and damper installation.

About its correct position, please contact SYK.)