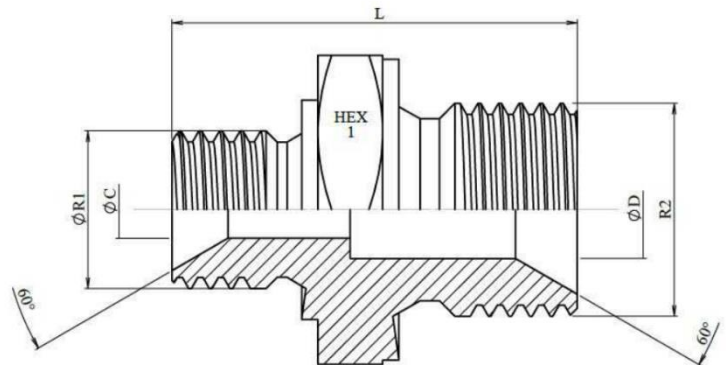


Egyenes KK váltó BSPP-BSP

Reducer adaptor BSP male-BSP male (60°)



R1	R2	L	HEX 1	ØC	ØD
1/8" BSP	1/4" BSP	25	17	3,5	6
1/8" BSP	3/8" BSP	26	22	3,5	8
1/4" BSP	3/8" BSP	32	22	6	8
1/4" BSP	1/2" BSP	34	27	6	11
3/8" BSP	1/2" BSP	38	27	8	11
3/8" BSP	3/4" BSP	40	32	8	16
1/2" BSP	3/4" BSP	43,5	32	11	16
1/2" BSP	1" BSP	46,5	41	11	22
5/8" BSP	1/2" BSP	44	30	14	11
5/8" BSP	3/4" BSP	45	32	14	16
3/4" BSP	1" BSP	48	41	16	22
3/4" BSP	1"1/4 BSP	51	50	16	28,5
1" BSP	1"1/4 BSP	56	50	22	28,5
1" BSP	1"1/2 BSP	58	55	22	33
1"1/4 BSP	1"1/2 BSP	62	55	28,5	33
1"1/4 BSP	2" BSP	64	70	28,5	46
1"1/2 BSP	2" BSP	66	70	33	46
2" BSP	2" 1/2 BSP	72	85	46	55
2" BSP	3" BSP	85	100	46	64
2" 1/2 BSP	3" BSP	85	100	55	64