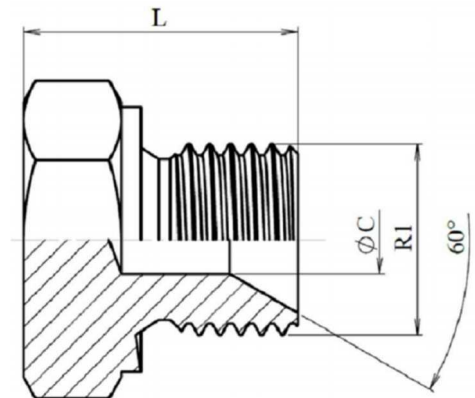
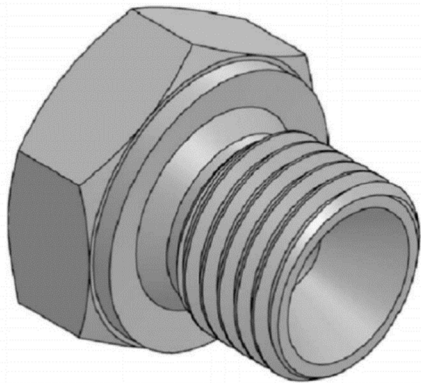


Menetes záródugó 60°(hatlap fejű)

BSP hexagonal male plug (60°)



R1	L	HEX 1	ØC
1/8" BSP	14	14	3,5
1/4" BSP	19	17	6
1/4" BSP	19	19	6
3/8" BSP	21	22	8
1/2" BSP	24,5	27	11
5/8" BSP	22	27	14
3/4" BSP	26,5	32	16
1" BSP	32	41	22
1"1/4 BSP	33	50	28,5
1"1/2 BSP	36	55	33
2" BSP	41	70	46