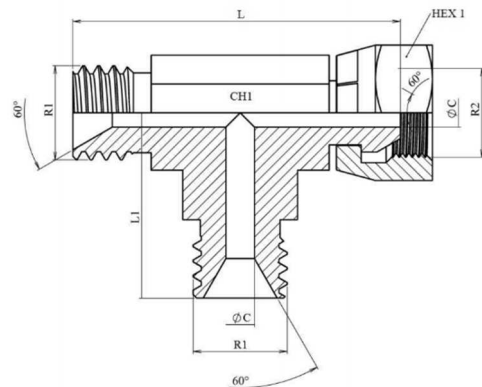


T-idom KKB BSPP-BSPP-BSPP

Barrel tee BSP Male-male-swivel female (60°) forge



R1	R2	R3	L	L1	HEX 1	CH1	ØC
1/8" BSP	1/8" BSP	1/8" BSP	44,2	23	14	13,5	5
1/4" BSP	1/4" BSP	1/4" BSP	46	26	19	14	4
3/8" BSP	3/8" BSP	3/8" BSP	60	30	22	17	7
1/2" BSP	1/2" BSP	1/2" BSP	70	35	27	22	9,5
3/4" BSP	3/4" BSP	3/4" BSP	86	42	32	27	15
1" BSP	1" BSP	1" BSP	96	47	41	36	19
1"1/4 BSP	1"1/4 BSP	1"1/4 BSP	106	52	50	46	26
1" 1/2 BSP	1" 1/2 BSP	1" 1/2 BSP	118	60	55	50	32
2" BSP	2" BSP	2" BSP	130	69	70	63	46