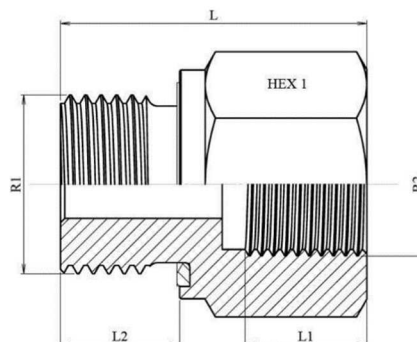
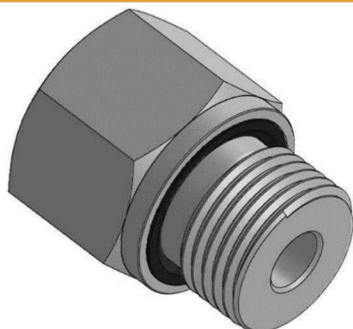


Egyenes KB tömbös váltó fix BSPP-BSPB

Male-female reducing adaptor BSP cyl with captive seal



R1	R2	Working Pressure (bar)	L	L1	L2	HEX 1
M 1/8"BSP	H 1/4"BSP	400	30	15	8	19
M 1/8"BSP	H 3/8"BSP	400	31	15	8	24
M 1/4"BSP	H 1/8"BSP	400	28	10	12	19
M 1/4"BSP	H 3/8"BSP	400	36	15	12	24
M 1/4"BSP	H 1/2"BSP	400	40	19	12	30
M 1/4"BSP	H 3/4"BSP	400	43	22,5	12	36
M 3/8"BSP	H 1/8"BSP	400	22,5	9	12	22
M 3/8"BSP	H 1/4"BSP	400	36	17	12	22
M 3/8"BSP	H 1/2"BSP	400	41	19	12	30
M 3/8"BSP	H 3/4"BSP	315	44	19	12	36
M 1/2"BSP	H 1/8"BSP	400	24	9	14	27
M 1/2"BSP	H 1/4"BSP	400	24	9	14	27
M 1/2"BSP	H 3/8"BSP	400	36	15	14	27
M 1/2"BSP	H 3/4"BSP	315	46	20	14	36
M 1/2"BSP	H 1"BSP	315	49	21	14	41
M 1/2" BSP	H 1"1/4 BSP	315	53	25	14	55
M 3/4"BSP	H 1/4"BSP	315	26	13	16	32
M 3/4"BSP	H 3/8"BSP	315	26	14	16	32
M 3/4"BSP	H 1/2"BSP	315	42	18	16	32
M 3/4"BSP	H 1"BSP	315	51	20	16	41
M 3/4"BSP	H 1"1/4 BSP	315	55	20	16	55
M 3/4"BSP	H 1"1/2 BSP	250	57	20	16	60
M 1"BSP	H 1/4"BSP	315	29	14	19	41
M 1"BSP	H 3/8"BSP	315	30	14	19	41
M 1"BSP	H 1/2"BSP	315	30	16	19	41
M 1"BSP	H 3/4"BSP	315	48	20	19	41
M 1"BSP	H 1"1/4BSP	315	58	23	19	55

R1	R2	Working Pressure (bar)	L	L1	L2	HEX 1
M 1"BSP	H 1"1/2 BSP	250	60	25	19	60
M 1"1/4BSP	H 1/2"BSP	315	32	16	20	50
M 1"1/4 BSP	H 3/4"BSP	315	32	18	20	50
M 1"1/4 BSP	H 1"BSP	315	51	21	20	50
M 1"1/4 BSP	H 1"1/2 BSP	250	60	25	20	50
M 1"1/2 BSP	H 1/2"BSP	250	36	16	22	55
M 1"1/2 BSP	H 3/4"BSP	250	36	18	22	55
M 1"1/2 BSP	H 1" BSP	250	36	20	22	55
M 1"1/2 BSP	H 1"1/4 BSP	250	58	26,5	22	55

www.powerbelt.hu

További információért keressen minket: tomlo@powerbelt.hu
 For further information please contact us: tomlo@powerbelt.hu