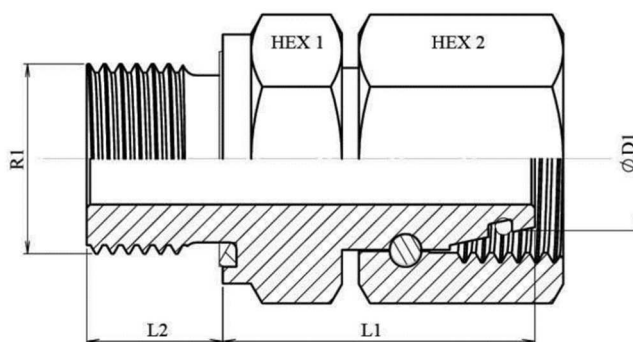
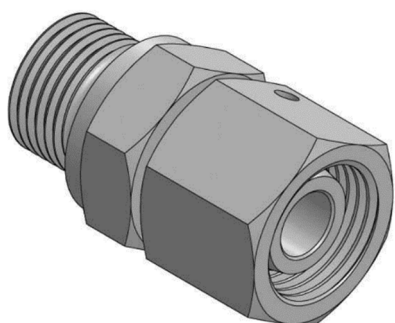


Egyenes KB tömbös váltó metrikus-BSP

Straight Stud Standpipe Adpt. W/Captive Seal O'Ring Bsp Cyl



ØD1	Serie	R1	Working Pressure (bar)	L1	L2	HEX 1	HEX 2
6	L	1/8"BSP	500	24,5	8	14	14
8	L	1/4"BSP	500	29,5	12	19	17
10	L	1/4"BSP	500	27,5	12	19	19
12	L	3/8"BSP	400	34	12	22	22
15	L	1/2"BSP	400	32	14	27	27
18	L	1/2"BSP	400	31,5	14	27	32
22	L	3/4"BSP	250	32	16	32	36
28	L	1"BSP	250	35	18	41	41
35	L	1"1/4BSP	250	42,5	20	50	50
42	L	1"1/2 BSP	250	46,5	22	55	60
6	S	1/4"BSP	630	27	12	19	17
8	S	1/4"BSP	630	29,5	12	19	19
10	S	3/8"BSP	630	32	12	22	22
12	S	3/8"BSP	630	34	12	22	24
14	S	1/2"BSP	630	36,5	14	27	27
16	S	1/2"BSP	420	37	14	27	30
20	S	3/4"BSP	420	42,5	16	32	36
25	S	1"BSP	420	47,5	18	41	46
30	S	1"1/4BSP	420	51	20	50	50
38	S	1"1/2BSP	315	59,5	22	55	60