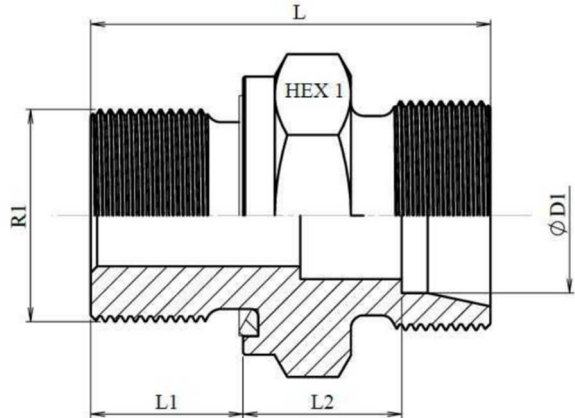
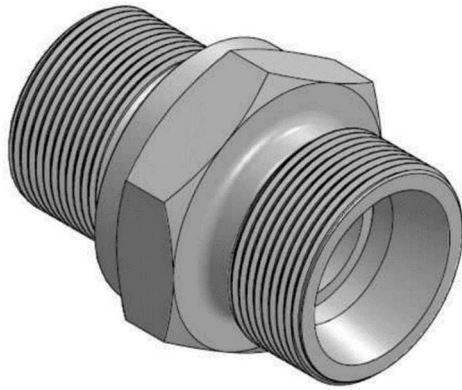


Egyenes KK tömbös váltó metrikus-BSP

Straight Male Stud Coupling With Captive Seal Bsp Cyl



| ØD1 | Serie | R1 | Working Pressure (bar) | L | L1 | L2 | HEX 1 |
|-----|-------|-----------|------------------------|------|-----|------|-------|
| 6 | L | 1/8" BSP | 500 | 23,5 | 8 | 8,5 | 14 |
| 6 | L | 1/4" BSP | 500 | 28 | 12 | 9 | 19 |
| 8 | L | 1/8" BSP | 500 | 24,5 | 8 | 9,5 | 14 |
| 8 | L | 1/4" BSP | 500 | 29 | 12 | 10 | 19 |
| 8 | L | 3/8 BSP | 400 | 29,5 | 12 | 10,5 | 22 |
| 10 | L | 1/4 BSP | 500 | 30 | 12 | 11 | 19 |
| 10 | L | 3/8 BSP | 400 | 30,5 | 12 | 11,5 | 22 |
| 10 | L | 1/2 BSP | 400 | 33 | 14 | 12 | 27 |
| 12 | L | 1/4 BSP | 400 | 31 | 12 | 12 | 19 |
| 12 | L | 3/8 BSP | 400 | 32,5 | 6,5 | 12,5 | 22 |
| 12 | L | 1/2 BSP | 400 | 34 | 14 | 13 | 27 |
| 15 | L | 3/8 BSP | 400 | 32,5 | 12 | 13,5 | 24 |
| 15 | L | 1/2 BSP | 315 | 35 | 14 | 14 | 27 |
| 15 | L | 3/4 BSP | 250 | 37 | 16 | 14 | 32 |
| 18 | L | 1/2 BSP | 400 | 36 | 14 | 14,5 | 27 |
| 18 | L | 3/4 BSP | 250 | 38 | 16 | 14,5 | 32 |
| 22 | L | 1/2 BSP | 250 | 38 | 14 | 16,5 | 32 |
| 22 | L | 3/4 BSP | 250 | 40 | 16 | 16,5 | 32 |
| 22 | L | 1 | 250 | 42 | 18 | 16,5 | 41 |
| 28 | L | 3/4 BSP | 250 | 41 | 16 | 17,5 | 41 |
| 28 | L | 1" BSP | 250 | 43 | 18 | 17,5 | 41 |
| 35 | L | 1 1/4 BSP | 250 | 48 | 20 | 17,5 | 50 |
| 4 | L | 1 1/2 BSP | 250 | 52 | 22 | 19 | 55 |
| 6 | L | 1/4 BSP | 630 | 32 | 12 | 13 | 19 |
| 8 | S | 1/4 BSP | 630 | 34 | 12 | 15 | 19 |
| 8 | S | 3/8 BSP | 630 | 34,5 | 12 | 15,5 | 22 |
| 10 | L | 1/4 BSP | 630 | 34 | 12 | 14,5 | 19 |

| ØD1 | Serie | R1 | Working Pressure (bar) | L | L1 | L2 | HEX 1 |
|------------|--------------|-----------|-------------------------------|----------|-----------|-----------|--------------|
| 10 | S | 3/8 BSP | 630 | 34,5 | 12 | 15 | 22 |
| 10 | S | 1/2 BSP | 630 | 37 | 14 | 15,5 | 27 |
| 12 | S | 1/4 BSP | 630 | 36 | 12 | 16,5 | 22 |
| 12 | S | 3/8 BSP | 630 | 36,5 | 12 | 17 | 22 |
| 12 | S | 1/2 BSP | 630 | 39 | 14 | 17,5 | 27 |
| 14 | S | 1/2 BSP | 630 | 41 | 14 | 19 | 27 |
| 16 | S | 3/8 BSP | 420 | 38,5 | 12 | 18 | 27 |
| 16 | S | 1/2 BSP | 420 | 41 | 14 | 18,5 | 27 |
| 16 | S | 3/4 BSP | 420 | 43 | 16 | 18,5 | 32 |
| 20 | S | 3/4 BSP | 420 | 47 | 16 | 20,5 | 32 |
| 25 | S | 3/4 BSP | 420 | 51 | 16 | 23 | 41 |
| 25 | S | 1" BSP | 420 | 53 | 18 | 23 | 41 |
| 30 | S | 1 1/4 BSP | 420 | 57 | 20 | 23,5 | 50 |
| 38 | S | 1 1/2 BSP | 315 | 64 | 22 | 24 | 55 |