

SIT MOTOR BASES

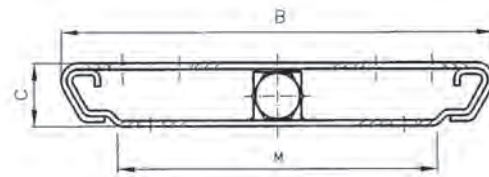
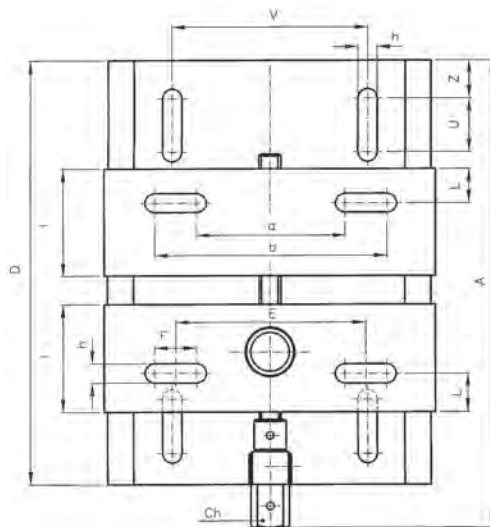
MOTOR BASES COMPATTA - TC



Description

COMPATTA motor base is very easy to install, it is suitable for any motor type and it has a reduced height. The motor base setting is adjustable by spanner without moving the motor bolts and without compromising the drive alignment. The motor base have been designed to allow a wide adjustment

range. The six models described below are available at stock. This motor base series is manufactured in galvanized steel, other material like stainless steel are available on request. SIT is capable to manufacture customized motor bases in accordance with customer requirements.



Part Number TC MEDIA

TC: motor bases Compatta

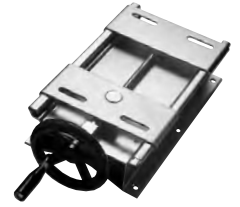
Size

Motor Bases Type	Motor size	56M	63M	71M	80M	90S	90L	100L	112M	132S	132M	160M	160L	180M	180L	200L	225S	225M
TC 80 (mignon)	Max adjustment [mm]	98	88	76	63	-	-	-	-	-	-	-	-	-	-	-	-	-
TC 90 (piccola)		-	-	118	105	90	90	-	-	-	-	-	-	-	-	-	-	-
TC 112 (junior)		-	-	-	169	154	154	134	105	-	-	-	-	-	-	-	-	-
TC 132 (media)		-	-	-	-	208	208	188	158	132	132	-	-	-	-	-	-	-
TC 180 (maxi)		-	-	-	-	-	-	-	-	-	-	176	176	151	151	-	-	-
TC 225 (magnum)		-	-	-	-	-	-	-	-	-	-	-	-	-	-	182	144	144

Motor Base Type	Electric Motor Size	Electric Motor Power 2 poles (2.800 giri/min) [kW]	Electric Motor Power 4 poles (1.400 giri/min) [kW]	A [mm]	B [mm]	C [mm]	D [mm]	E [mm]	F [mm]	I [mm]	L [mm]	M [mm]	Ch [mm]	V [mm]	Z [mm]	U [mm]	a x b x h [mm]	Weight [kg]
TC 80 (mignon)	56÷80	0,12-1,1	0,1-0,75	240	154	22	220	85	25	50	16	113	15	90	25	40	60x110x9	1,5
TC 90 (piccola)	71÷90	0,37-2,2	0,25-1,5	293	180	25	270	90	45	70	20	134	16	110	25	40	45x135x9	2,0
TC 112 (junior)	80÷112	0,75-4	0,55-4	365	220	30	340	110	43,5	85	23	163	17	130	25	50	66,5x153,5x13	3,5
TC 132 (media)	90÷132	1,5-9	1,1-7,5	430	250	35	400	134	47,5	100	26	185	22	150	25	60	86,5x181,5x13	5,8
TC 180 (maxi)	160÷180	15-25	11-22	532	380	40	500	220	60	125	35	305	24	260	25	60	160x280x15	12,0
TC 225 (magnum)	200÷225	30-45	30-45	635	448	50	600	280	55	160	50	338	27	300	30	70	225x335x18	22,5

MOTOR BASES

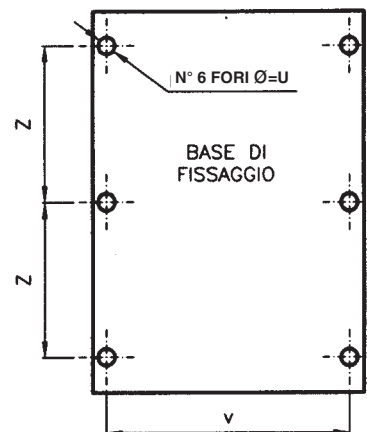
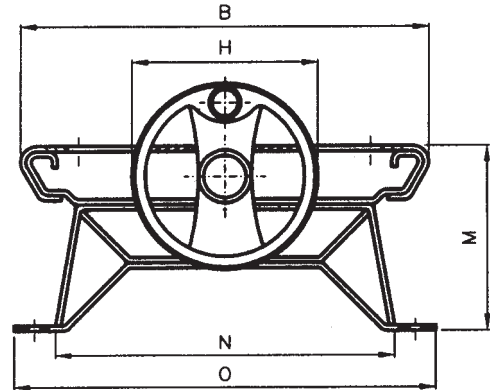
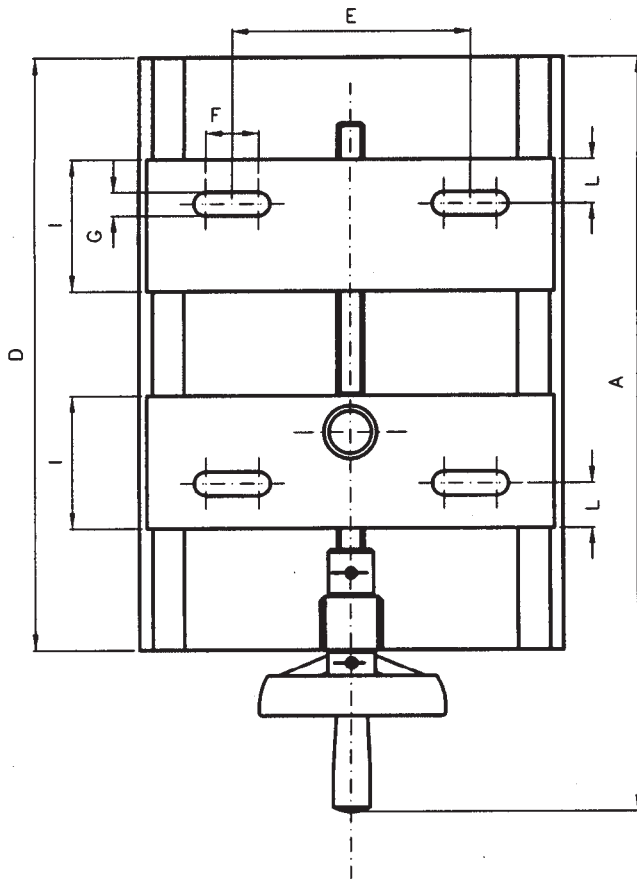
MOTOR BASES VAREX - TX



Description

The VAREX motor bases (made of galvanized steel), are an economical and optimal solution in the variable speed systems made with

variable speed pulley in which the axial displacement of the electric motor allows a continuous speed variation of the driven shaft.



Motor Bases Type	Motor size	56M	63M	71M	80M	90S	90L	100L	112M	132S	132M
TX (mignon)	Max adjustment [mm]	98	88	76	63	-	-	-	-	-	-
TX (piccola)		-	-	118	105	90	90	-	-	-	-
TX (media)		-	-	-	-	208	208	188	158	132	132

Part Number TX MEDIA

TX: motor bases Varex

Size

Motor Bases Type	Electric Motor Size	Electric Motor Power 2 poles (2.800 giri/min) [kW]	Electric Motor Power 4 poles (1.400 giri/min) [kW]	A [mm]	B [mm]	D [mm]	E [mm]	F [mm]	G [mm]	H [mm]	I [mm]	L [mm]	M [mm]	N [mm]	O [mm]	U [mm]	V [mm]	Z [mm]	Weight [kg]
TX (mignon)	55-80	0,12-1,1	0,1-0,75	323	158	220	85	25	9	100	50	16	73	116	160	8,5	134	95	2,8
TX (piccola)	71-90	0,37-2,2	0,25-1,5	394	182	270	90	45	9	120	70	20	90	140	184	8,5	164	110	4,0
TX (media)	90-132	1,5-9	1,1-7,5	545	250	400	134	47	13	156	100	26	110	192	248	10,5	220	180	10,0

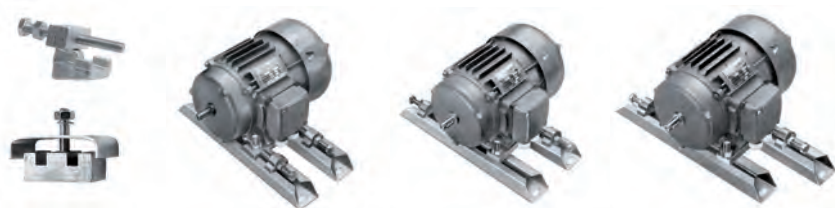
MOTOR BASES LINEA - TT



Description

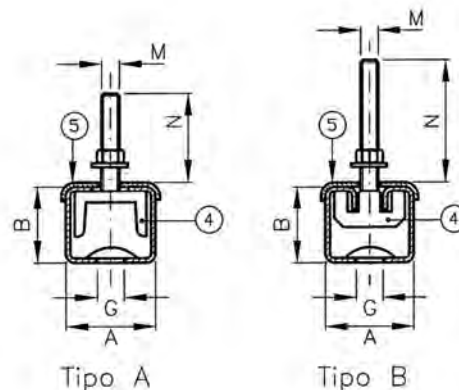
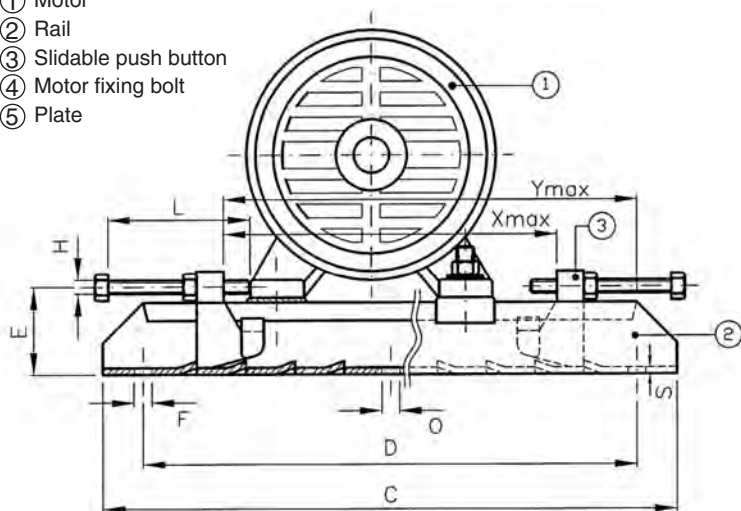
This new range of universal motor bases "LINEA" (made of galvanized steel) allows the mounting and adjustment of all types of electric motors in almost all positions. In case of mounting upside-down, please consult our technical department. The very strong construction of the "LINEA" motor bases and the special fixing elements allow all types of combinations by the positioning of the adjusting threaded elements.

The mounting of the electric motors is made easy by a reduced number of standard components and by the correct keeping of position of the fixing element in the motor base. The "LINEA" motor bases may be fixed to their basement by means of bolts as well as by welding when the basement is steel made.



Part Number	TT 100/10
TT: motor bases Linea	
Size	

- ① Motor
- ② Rail
- ③ Slidable push button
- ④ Motor fixing bolt
- ⑤ Plate



Stirrup Type	Motor Base Type	Motor	A [mm]	B [mm]	C [mm]	D [mm]	E [mm]	F [mm]	G [mm]	H [mm]	L [mm]	M [mm]	N [mm]	X max. [mm]	Y max. [mm]	S [mm]	Weight [kg]
Tipo A	TT71/6	56-71	47	31	312	280	38	13	18	M8	80	M6	25	180	220	2,5	2,4
	TT80/8	80	47	31	375	343	38	13	18	M8	80	M8	30	240	280	2,5	2,7
	TT90/8	80-90	59	36	395	355	45	13	21	M10	100	M8	35	245	300	3	4,3
	TT100/10	100	59	36	395	355	45	13	21	M10	100	M10	40	245	300	3	4,4
	TT112/10	100-112	59	36	495	455	45	13	21	M10	100	M10	40	345	400	3	5,2
Tipo B	TT132/10	100-132	65	40	530	480	52	17	26	M12	120	M10	45	360	420	3,5	7,8
	TT160/12	160	65	40	630	580	52	17	26	M12	120	M12	50	460	520	3,5	8,8
	TT180/12	160-180	75	42	700	630	57	17	26	M12	120	M12	50	520	580	4	12,0
	TT225/16	200-225	82	50	864	800	68	17	27	M16	140	M16	65	670	740	5	20,4
	TT280/20	250-280	116	70	1072	1000	90	20	27	M18	150	M20	80	870	940	6	43,0
	TT355/24	315-355	116	70	1330	1250	90	24	27	M18	150	M24	100	1130	1200	6	52,0
	TT400/30	400	116	70	1430	1350	90	24	30	M18	150	M30	100	1230	1300	6	58,0

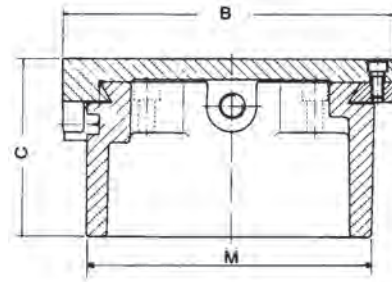
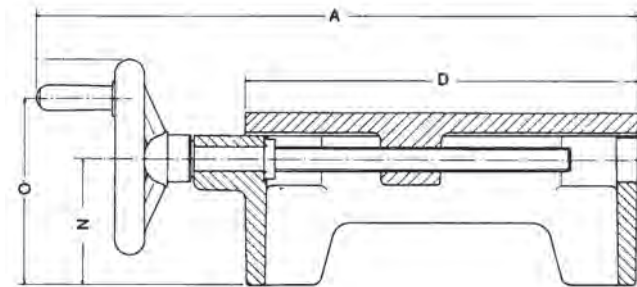
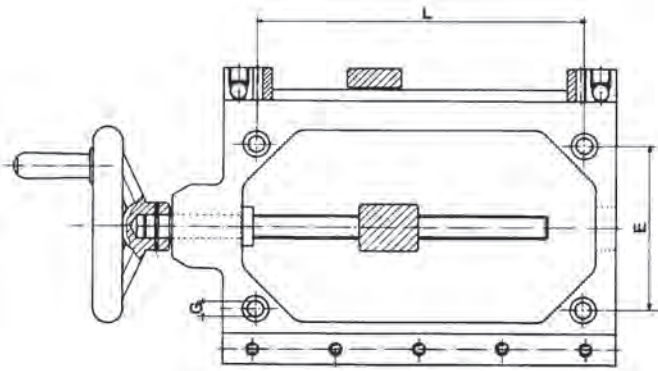
MOTOR BASES TV 909



Description

The motor bases TV909, made in cast iron, have been designed to allow speed variation through the axial displacement of the electric motor equipped with a variable speed pulley. The rigidity and the possibility of fine regulation of this motor base by means of a system made by a hand wheel guided screw, allow to solve applications where the speed of the driven shaft must be set very precisely.

The sliding is ensured by two dovetail guides largely dimensioned that allow a very easy setting. To fix the motor base it is sufficient to move the top surface in both directions turning the handwheel, in order to uncover the fixing holes.



Part Number	TV909	G2
TV: motor bases TV909		
Size		

Motor Base Type	A [mm]	B [mm]	C [mm]	D [mm]	E [mm]	G [mm]	L [mm]	M [mm]	N [mm]	O [mm]	Max Adjustment [mm]	Weight [kg]
TV909 G1	332	163	87	201	85	8,0	163	135	62	97	98	6,7
TV909 G2	400	217	114	254	118	10,5	211	189	83	128	158	13,6
TV909 G3	568	293	128	354	180	13,0	303	258	96	151	217	24,5

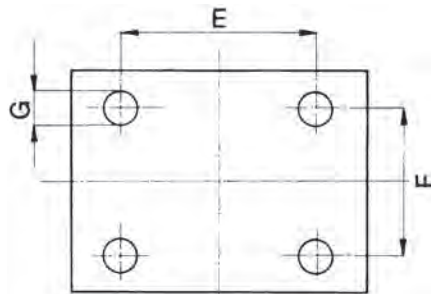
MOTOR BASES TV 910



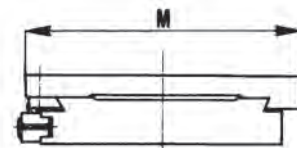
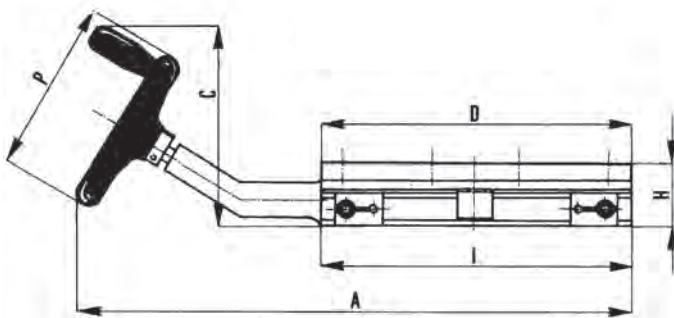
Description

The motor bases TV910, made of cast iron, have the same technical characteristics of the 909 model but they have been designed with a reduced thickness in order to solve problems where compact design is needed. The handwheel is mounted on the top of tail support and the con-

nection between its axis and the screw adjustment system is made by an universal joint that allows a backlash free transmission. The handwheel is located higher than the basement allowing, in that way, the use of these motor bases where the encumbrance limits do not allow the use of other products.



Part Number	TV910	G2
TV: motor bases TV910		
Size		



Motor Base Type	A [mm]	C [mm]	D [mm]	E [mm]	F [mm]	G [mm]	H [mm]	I [mm]	M [mm]	P [mm]	Max Adjustment [mm]	Weight [kg]
TV910 G1	345	135	189	130	65	10,5	44	188	151	100	78	6,1
TV910 G2	420	147	228	150	80	10,5	44	230	177	100	131	8,9
TV910 G3	475	170	267	185	108	12,5	55	269	222	123	171	14,5

Adjustable Motor Bases TB 911

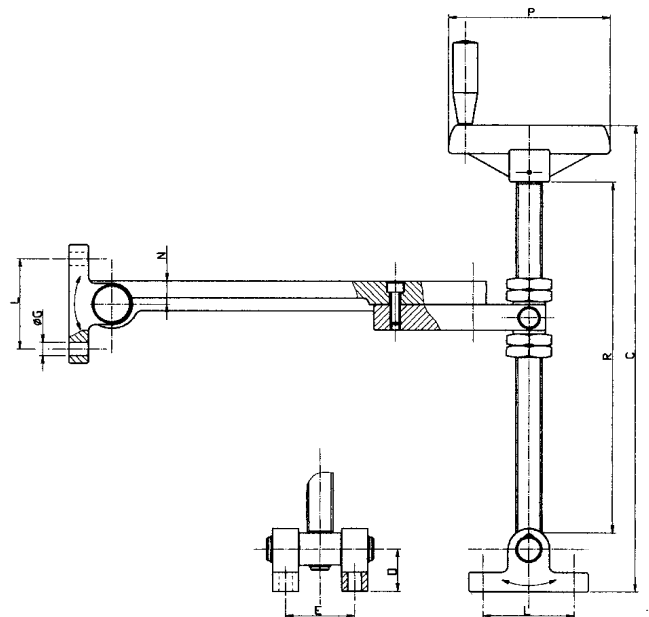
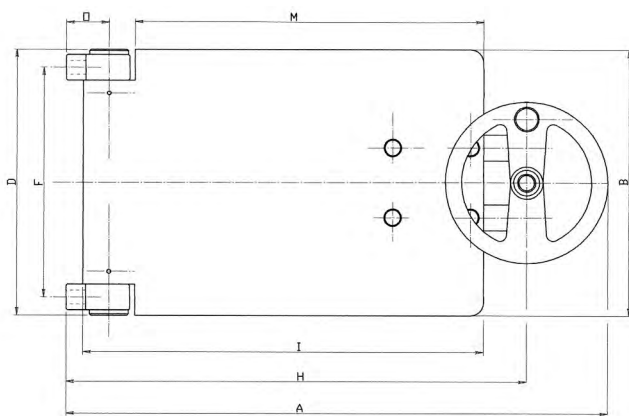


Description

The adjustable pivot plate motor bases TB 911, made-up of cast iron and steel, have been designed for speed variation application with variable speed pulley in which the displacement of the motor can be made only by pivoting. These motor bases consist of a jointed fixing plate and a screw regulation system with hand wheel jointed as well in order to allow pivoting.

The outfit is kept in two different planes by jointing axis and double pillow blocks dimensioned to give a high rigidity to the mounting. The designed reduction is sufficient to have the regulation range desired in all applications. This type of motor base may equally be used to ensure the belt tensioning between an electric motor and a driven machine in those cases where the encumbrance does not allow the use of conventional motor bases.

Part Number	TB 1
TB: motor bases TB911	
Size	



Motor Base Type	A* [mm]	B [mm]	C [mm]	D [mm]	E [mm]	F [mm]	G [mm]	H* [mm]	I [mm]	L [mm]	M [mm]	N [mm]	O [mm]	P [mm]	R [mm]	Weight [kg]
TB 1	413	206	346	206	53	172	11	351	308	70	268	18	33	125	273	9,4
TB 2	548	316	520	315	58	280	11	486	436	70	391	22	36	125	443	20,0

* With 90° angle between handwheel axle and basement