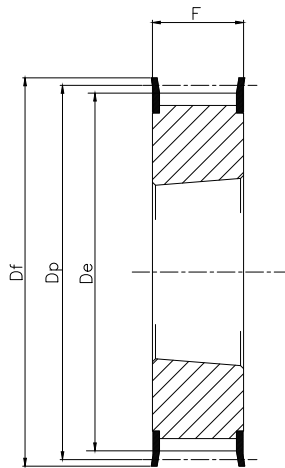
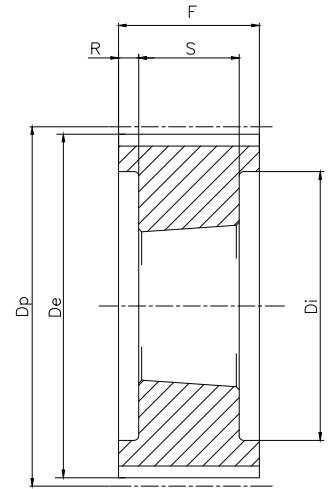


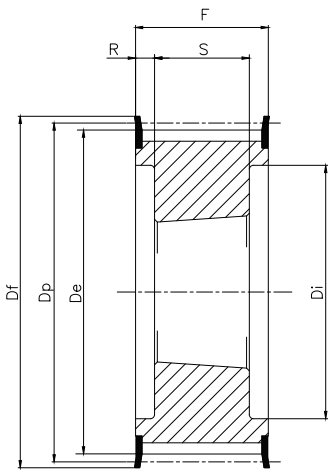
**Tipo / Type
6F**



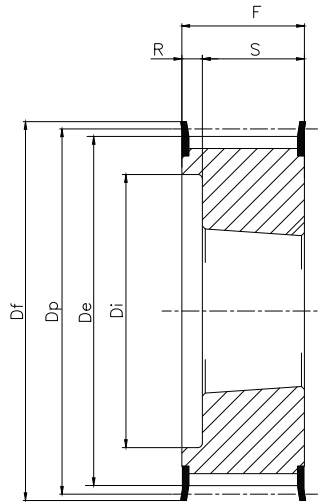
**Tipo / Type
3F**



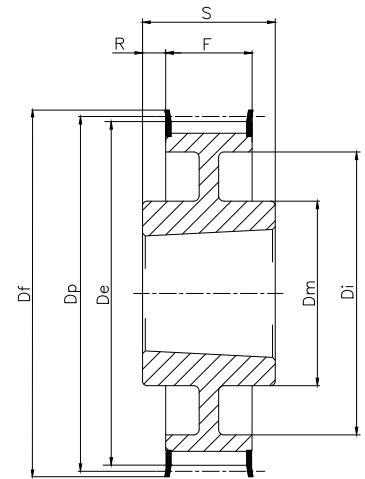
**Tipo / Type
4**



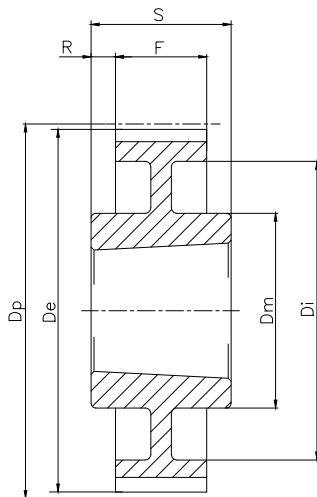
**Tipo / Type
4F**



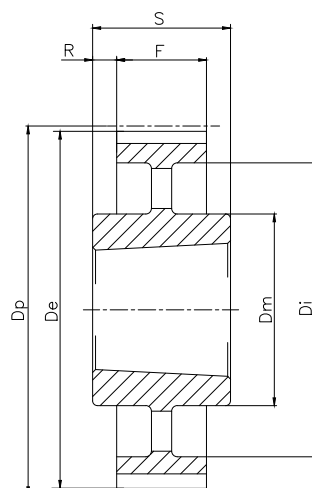
**Tipo / Type
5F2**



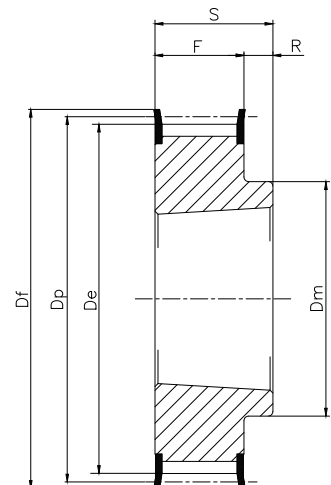
**Tipo / Type
7WF**



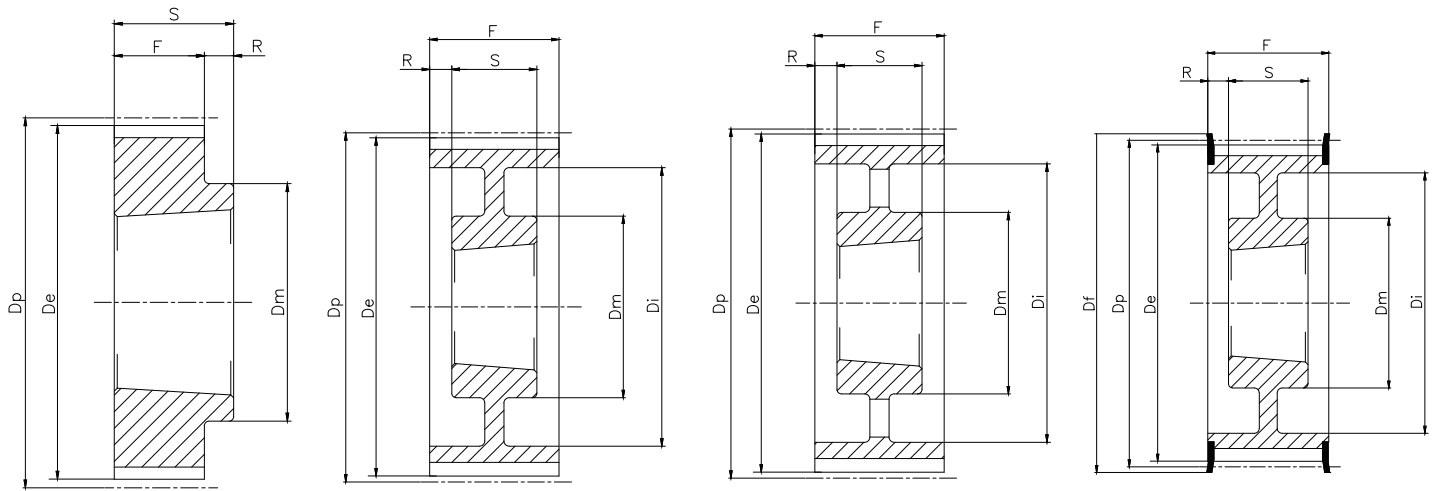
**Tipo / Type
7W**



**Tipo / Type
7A**



**Tipo / Type
8F**



Tipo / Type
8

Tipo / Type
9W

Tipo / Type
9A

Tipo / Type
9WF

PC8M-12

Caratteristiche Features Merkmale Características Características	Codice Code symbol Fabriknummer Code symbole Numero de fabrica	Nostro codice Our code Unser kode Notre code Nuestro codigo	Tipo Type Type Type Tipo	Codice flangia Flange code Bordscheiben-Code Code flasque Código brida	N. denti N. of teeth Zahnezahl N. bre de dents Cantidad de dientes	Foro d / Bussola. Bush d / Bore. Bohrung d / Buchse. Alesage d / Moyeu. Agujero d / Casquillo.	Dp	De	Df	Dm	Di	F	S	R	Peso Weight Gewicht Poids Peso Kg
Acciaio / Steel / Stahl Acier / Acero	PC8M-22S-12	8M12022	6F	FL053	22	12	56,02	54,42	60,0	43	-	20	30	10,0	0,54
	TL PC8M-25S-12	8MB12025	8F	FL061	25	1108	63,66	62,06	70,0	49	-	20	22	2,0	0,49
	TL PC8M-28S-12	8MB12028	8F	FL079	28	1108	71,30	69,70	75,0	56	-	20	22	2,0	0,66
	TL PC8M-30S-12	8MB12030	8F	FL073	30	1210	76,39	74,79	83,0	60	-	20	25	5,0	0,83
	TL PC8M-32S-12	8MB12032	8F	FL076	32	1610	81,49	79,89	87,0	66	-	20	25	5,0	0,93
	TL PC8M-34S-12	8MB12034	8F	FL066	34	1610	86,58	84,98	91,0	68	-	20	25	5,0	1,05
	TL PC8M-36S-12	8MB12036	8F	FL068	36	1610	91,67	90,07	97,0	74	-	20	25	5,0	1,17
	TL PC8M-38S-12	8MB12038	8F	FL070	38	1610	96,77	95,17	102,0	80	-	20	25	5,0	1,29
	TL PC8M-40S-12	8MB12040	8F	FL077	40	1610	101,86	100,26	106,0	85	-	20	25	5,0	1,43
	TL PC8M-45S-12	8MB12045	8F	FL075	45	2012	114,59	112,99	120,0	92	-	20	32	12,0	2,30
	TL PC8M-48S-12	8MB12048	8F	FL078	48	2012	122,23	120,63	128,0	100	-	20	32	12,0	2,49
	TL PC8M-50S-12	8MB12050	8F	FL080	50	2012	127,32	125,72	135,0	104	-	20	32	12,0	2,70
	TL PC8M-56S-12	8MB12056	8F	FL085	56	2012	142,60	141,00	150,0	104	-	20	32	12,0	3,88
Ghisa / Cast iron Grauguss / Fonte Hierro fundido	TL PC8M-60S-12	8MB12060	8F	FL086	60	2012	152,79	151,19	158,0	111	-	20	32	12,0	4,42
	TL PC8M-64S-12	8MB12064	8F	FL090	64	2012	162,97	161,37	168,0	111	-	20	32	12,0	4,99
	TL PC8M-75S-12	8MB12075	8	-	74	2012	190,99	189,39	-	111	-	20	32	12,0	6,90
	TL PC8M-80S-12	8MB12080	8	-	80	2012	203,72	202,12	-	111	-	20	32	12,0	7,75
	TL PC8M-90S-12	8MB12090	8	-	90	2012	229,18	227,58	-	111	-	20	32	12,0	9,94

PC8M-21

Caratteristiche Features Merkmale Características	Codice Code symbol Fabriknummer Code symbole Numero de fabrica	Nostro codice Our code Unser kode Notre code Nuestro codigo	Tipo Type Typ Type Tipo	Codice flangia Flange code Bordscheiben-Code Code flasque Código brida	N. denti N. of teeth Zahnezahl N. bre de dents Cantidad de dientes	Foro d / Bussola. Bush d / Bore. Bohrung d / Buchse. Alesage d / Moyeu. Agujero d / Casquillo.	Dp	De	Df	Dm	Di	F	S	R	Peso Weight Gewicht Poids Peso Kg	
Acciaio / Steel / Stahl Acier / Acero	con flangia / with flanges mit Flanges / avec flasques / con tapetas	PC8M-22S-21	8M21022	6F	FL053	22	12	56,02	54,42	60,0	43	-	30	40	10,0	0,73
	TL PC8M-25S-21	8MB21025	3F	FL061	25	1108	63,66	62,06	70,0	-	-	30	-	-	-	0,49
	TL PC8M-28S-21	8MB21028	3F	FL079	28	1210	71,30	69,70	75,0	-	-	30	-	-	-	0,85
	TL PC8M-30S-21	8MB21030	3F	FL073	30	1210	76,39	74,79	83,0	-	-	30	-	-	-	0,97
	TL PC8M-32S-21	8MB21032	3F	FL076	32	1610	81,49	79,89	87,0	-	-	30	-	-	-	1,09
	TL PC8M-34S-21	8MB21034	3F	FL066	34	1610	86,58	84,98	91,0	-	-	30	-	-	-	1,22
	TL PC8M-36S-21	8MB21036	3F	FL068	36	1610	91,67	90,07	97,0	-	-	30	-	-	-	1,36
	TL PC8M-38S-21	8MB21038	3F	FL070	38	1610	96,77	95,17	102,0	-	-	30	-	-	-	1,51
	TL PC8M-40S-21	8MB21040	3F	FL077	40	1610	101,86	100,26	106,0	-	-	30	-	-	-	1,66
	TL PC8M-45S-21	8MB21045	8F	FL075	45	2012	114,59	112,99	120,0	92	-	30	32	2,0	2,30	
	TL PC8M-48S-21	8MB21048	8F	FL078	48	2012	122,23	120,63	128,0	100	-	30	32	2,0	2,49	
	TL PC8M-50S-21	8MB21050	8F	FL080	50	2012	127,32	125,72	135,0	104	-	30	32	2,0	2,70	
	TL PC8M-56S-21	8MB21056	8F	FL085	56	2012	142,60	141,00	150,0	111	-	30	32	2,0	3,88	
	TL PC8M-60S-21	8MB21060	8F	FL086	60	2517	152,79	151,19	158,0	124	-	30	45	15,0	5,85	
TL PC8M-64S-21	8MB21064	8F	FL090	64	2517	162,97	161,37	168,0	124	-	30	45	15,0	6,61		
Ghisa / Cast iron Grauguss / Fonte Hierro fundido	senza flangia / without flanges ohne Flanschen / sans flasques sin tapetas	TL PC8M-75S-21	8MB21075	8	-	75	2517	190,99	189,39	-	124	-	30	45	15,0	7,84
	TL PC8M-80S-21	8MB21080	8	-	80	2517	203,72	202,12	-	124	-	30	45	15,0	9,45	
	TL PC8M-90S-21	8MB21090	7W	-	90	2517	229,18	227,58	-	124	198	30	45	7,5	11,55	
	TL PC8M-112S-21	8MB21112	7W	-	112	2517	285,21	283,61	-	124	253	30	45	7,5	17,15	
	TL PC8M-140S-21	8MB21140	7A	-	140	3020	356,51	354,91	-	150	324	30	51	10,5	33,25	

PC8M-36

Caratteristiche Features Merkmale Características	Codice Code symbol Fabriknummer Code symbole Numero de fabrica	Nostro codice Our code Unser kode Notre code Nuestro codigo	Tipo Type Typ Type Tipo	Codice flangia Flange code Bordscheiben-Code Code flasque Código brida	N. denti N. of teeth Zahnezahl N. bre de dents Cantidad de dientes	Foro d / Bussola. Bush d / Bore. Bohrung d / Buchse. Alesage d / Moyeu. Agujero d / Casquillo.	Dp	De	Df	Dm	Di	F	S	R	Peso Weight Gewicht Poids Peso Kg	
Acciaio / Steel / Stahl Acier / Acero	con flangia / with flanges mit Flanges / avec flasques / con tapetas	PC8M-25S-36	8M36025	6F	FL061	25	12	63,66	62,06	70,0	49	-	45	55	10,0	1,09
	TL PC8M-28S-36	8MB36028	3F	FL079	28	1210	71,30	69,70	75,0	-	-	45	-	-	-	1,21
	TL PC8M-30S-36	8MB36030	3F	FL073	30	1610	76,39	74,79	83,0	-	-	45	-	-	-	1,38
	TL PC8M-32S-36	8MB36032	3F	FL076	32	1610	81,89	79,89	87,0	-	-	45	-	-	-	1,56
	TL PC8M-34S-36	8MB36034	3F	FL066	34	1610	86,58	84,98	91,0	-	-	45	-	-	-	1,75
	TL PC8M-36S-36	8MB36036	3F	FL068	36	1610	91,67	90,07	97,0	-	-	45	-	-	-	1,95
	TL PC8M-38S-36	8MB36038	3F	FL070	38	1610	96,77	95,17	102,0	-	-	45	-	-	-	2,16
	TL PC8M-40S-36	8MB36040	3F	FL077	40	2012	101,86	100,26	106,0	-	-	45	-	-	-	2,38
	TL PC8M-45S-36	8MB36045	3F	FL075	45	2012	114,59	112,99	120,0	-	-	45	-	-	-	3,11
	TL PC8M-48S-36	8MB36048	3F	FL078	48	2012	122,23	120,63	128,0	-	-	45	-	-	-	3,37
	TL PC8M-50S-36	8MB36050	3F	FL080	50	2012	127,32	125,72	135,0	-	-	45	-	-	-	3,64
	TL PC8M-56S-36	8MB36056	3F	FL085	56	2517	142,60	141,00	150,0	-	-	45	-	-	-	5,14
TL PC8M-60S-36	8MB36060	3F	FL086	60	2517	152,79	151,19	158,0	-	-	45	-	-	-	5,85	
TL PC8M-64S-36	8MB36064	3F	FL090	64	2517	162,97	161,37	168,0	-	-	45	-	-	-	6,61	
Ghisa / Cast iron Grauguss / Fonte Hierro fundido	senza flangia / without flanges ohne Flanschen / sans flasques sin tapetas	TL PC8M-75S-36	8MB36075	8	-	75	3020	190,99	189,39	-	150	-	45	51	6,0	9,47
	TL PC8M-80S-36	8MB36080	8	-	80	3020	203,72	202,12	-	150	-	45	51	6,0	10,64	
	TL PC8M-90S-36	8MB36090	7W	-	90	3020	229,18	227,58	-	150	197	45	51	3,0	13,64	
	TL PC8M-112S-36	8MB36112	7W	-	112	3020	285,21	283,61	-	150	253	45	51	3,0	18,21	
	TL PC8M-140S-36	8MB36140	7A	-	140	3020	356,51	354,91	-	150	324	45	51	3,0	24,92	
	TL PC8M-168S-36	8MB36168	7A	-	168	3525	427,81	426,21	-	198	396	45	65	10,0	31,92	
TL PC8M-192S-36	8MB36192	7A	-	192	3525	488,92	487,32	-	198	457	45	65	10,0	45,92		

PC8M-62

Caratteristiche Features Merkmale Características	Codice Code symbol Fabriknummer Code symbole Numero de fabrica	Nostro codice Our code Unser kode Notre code Nuestro codigo	Tipo Type Typ Tipo	Codice flangia Flange code Bordscheiben-Code Code flasque Código brida	N. denti N. of teeth Zahnezahl N. bre de dents Cantidad de dientes	Foro d / Bussola. Bush d / Bore. Bohrung d / Buchse. Alesage d / Moyeu. Agujero d / Casquillo.	Dp	De	Df	Dm	Di	F	S	R	Peso Weight Gewicht Poids Peso Kg	
Acciaio / Steel / Stahl Acier / Acero	con flangia / with flanges mit Flanges / avec flasques / con tapetas	PC8M-30S-62	8M62030	6F	FL073	30	15	76,39	74,79	83,0	62	-	72	84	12,0	2,46
		PC8M-32S-62	8M62032	6F	FL076	32	15	81,49	79,89	87,0	65	-	72	84	12,0	2,77
		PC8M-34S-62	8M62034	6F	FL066	34	15	86,58	84,98	91,0	70	-	72	84	12,0	3,11
		PC8M-36S-62	8M62036	6F	FL068	36	15	91,67	90,07	97,0	75	-	72	84	12,0	3,46
		PC8M-38S-62	8M62038	6F	FL070	38	15	96,77	95,17	102,0	75	-	72	84	12,0	3,84
		TL PC8M-40S-62	8MB62040	3F	FL077	40	2012	101,86	100,26	106,0	-	-	72	-	-	3,66
		TL PC8M-45S-62	8MB62045	3F	FL075	45	2012	114,59	112,99	120,0	-	-	72	-	-	4,78
		TL PC8M-48S-62	8MB62048	3F	FL078	48	2517	122,23	120,63	128,0	-	-	72	-	-	5,19
		TL PC8M-50S-62	8MB62050	3F	FL080	50	2517	127,32	125,72	135,0	-	-	72	-	-	5,61
		TL PC8M-56S-62	8MB62056	9WF	FL085	56	2517	142,60	141,00	150,0	-	111	72	45	13,5	7,76
		TL PC8M-60S-62	8MB62060	9WF	FL086	60	2517	152,79	151,19	158,0	-	121	72	45	13,5	8,83
TL PC8M-64S-62	8MB62064	9WF	FL090	64	2517	162,97	161,37	168,0	-	131	72	45	13,5	9,97		
Ghisa / Cast iron Grauguss / Fonte Hierro fundido	senza flangia / without flanges ohne Flanschen / sans flasques sin tapetas	TL PC8M-75S-62	8MB62075	4	-	75	3020	190,99	189,39	-	-	159	72	51	10,5	10,92
		TL PC8M-80S-62	8MB62080	4	-	80	3020	203,72	202,12	-	-	172	72	51	10,5	13,16
		TL PC8M-90S-62	8MB62090	4	-	90	3020	229,18	227,58	-	-	197	72	51	10,5	16,59
		TL PC8M-112S-62	8MB62112	9W	-	112	3020	285,21	283,61	-	150	253	72	51	10,5	22,05
		TL PC8M-140S-62	8MB62140	9W	-	140	3525	356,51	354,91	-	198	324	72	65	3,5	30,17
		TL PC8M-168S-62	8MB62168	9A	-	168	3525	427,81	426,21	-	198	396	72	65	3,5	39,34
		TL PC8M-192S-62	8MB62192	9A	-	192	3525	488,92	487,32	-	198	457	72	65	3,5	56,21

PC14M-20

Caratteristiche Features Merkmale Características	Codice Code symbol Fabriknummer Code symbole Numero de fabrica	Nostro codice Our code Unser kode Notre code Nuestro codigo	Tipo Type Typ Tipo	Codice flangia Flange code Bordscheiben-Code Code flasque Código brida	N. denti N. of teeth Zahnezahl N. bre de dents Cantidad de dientes	Foro d / Bussola. Bush d / Bore. Bohrung d / Buchse. Alesage d / Moyeu. Agujero d / Casquillo.	Dp	De	Df	Dm	Di	F	S	R	Peso Weight Gewicht Poids Peso Kg	
Acciaio / Steel / Stahl Acier / Acero	con flangia / with flanges mit Flanges / avec flasques / con tapetas	TL 28-PC14M-20	14MB20028	3F	FL153	28	2012	124,78	121,98	128,0	-	-	33	-	-	2,52
		TL 30-PC14M-20	14MB20030	3F	FL154	30	2012	133,69	130,89	138,0	-	-	33	-	-	2,98
		TL 32-PC14M-20	14MB20032	3F	FL160	32	2012	142,6	139,8	154,0	-	-	33	-	-	3,47
		TL 34-PC14M-20	14MB20034	8F	FL171	34	2517	151,52	148,72	160,0	117	-	33	45	12,0	4,34
		TL 36-PC14M-20	14MB20036	8F	FL168	36	2517	160,43	157,53	168,0	117	-	33	45	12,0	4,89
		TL 38-PC14M-20	14MB20038	8F	FL172	38	2517	169,34	166,54	183,0	117	-	33	45	12,0	5,48
		TL 40-PC14M-20	14MB20040	8F	FL174	40	2517	178,25	175,45	188,0	117	-	33	45	12,0	6,10
		TL 44-PC14M-20	14MB20044	8F	FL175	44	3020	196,08	193,28	211,0	144	-	33	51	18,0	7,89
		TL 48-PC14M-20	14MB20048	8F	FL180	48	3020	213,9	211,11	226,0	144	-	33	51	18,0	9,35
Ghisa / Cast iron Grauguss / Fonte Hierro fundido	senza flangia / without flanges ohne Flanschen / sans flasques sin tapetas	TL 50-PC14M-20	14MB20050	8F	FL169	50	3020	222,82	220,02	240,0	144	-	33	51	18,0	9,49
		TL 56-PC14M-20	14MB20056	7WF	FL182	56	3020	249,55	246,76	256,0	144	207	33	51	9,0	10,67
		TL 60-PC14M-20	14MB20060	7W	-	60	3020	267,38	264,58	-	159	224	33	51	9,0	12,66
		TL 64-PC14M-20	14MB20064	7W	-	64	3020	285,21	282,41	-	159	242	33	51	9,0	13,88
		TL 72-PC14M-20	14MB20072	7W	-	72	3020	320,86	318,06	-	159	278	33	51	9,0	16,53
		TL 80-PC14M-20	14MB20080	7W	-	80	3020	356,51	353,71	-	159	314	33	51	9,0	19,47
		TL 90-PC14M-20	14MB20090	7A	-	90	3020	401,07	398,27	-	159	360	33	51	9,0	23,49
		TL 112-PC14M-20	14MB20112	7A	-	112	3020	499,11	496,31	-	159	456	33	51	9,0	34,22
		TL 140-PC14M-20	14MB20140	7A	-	140	3020	623,89	621,09	-	159	581	33	51	9,0	43,26

PC14M-37

Caratteristiche Features Merkmale Características	Codice Code symbol Fabriknummer Code symbole Numero de fabrica	Nostro codice Our code Unser kode Notre code Nuestro codigo	Tipo Type Typ Tipo	Codice flangia Flange code Bordscheiben-Code Code flasque Código brida	N. denti N. of teeth Zahnezahl N. bre de dents Cantidad de dientes	Foro d / Bussola. Bush d / Bore. Bohrung d / Buchse. Alesage d / Moyeu. Agujero d / Casquillo.	Dp	De	Df	Dm	Di	F	S	R	Peso Weight Gewicht Poids Peso Kg	
Acciaio / Steel / Stahl Acier / Acero	con flangia / with flanges mit Flanges / avec flasques / con tapetas	TL 28-PC14M-37	14MB37028	5F2	FL153	28	2012	124,78	121,98	128,0	-	88	51	32	19,0	3,70
		TL 30-PC14M-37	14MB37030	4F	FL154	30	2517	133,69	130,89	138,0	-	98	51	45	3,0	3,86
		TL 32-PC14M-37	14MB37032	4F	FL160	32	2517	142,6	139,8	154,0	-	100	51	45	3,0	4,60
		TL 34-PC14M-37	14MB37034	4F	FL171	34	2517	151,52	148,72	160,0	-	109	51	45	3,0	5,34
		TL 36-PC14M-37	14MB37036	5F2	FL168	36	2517	160,43	157,53	168,0	-	117	51	45	6,0	6,12
		TL 38-PC14M-37	14MB37038	5F2	FL172	38	2517	169,34	166,54	183,0	-	126	51	45	6,0	6,96
		TL 40-PC14M-37	14MB37040	5F2	FL174	40	2517	178,25	175,45	188,0	-	135	51	45	6,0	7,83
		TL 44-PC14M-37	14MB37044	3F	FL175	44	3020	196,08	193,28	211,0	-	-	51	-	-	9,73
		TL 48-PC14M-37	14MB37048	3F	FL180	48	3020	213,9	211,11	226,0	-	-	51	-	-	12,00
		TL 50-PC14M-37	14MB37050	3F	FL169	50	3020	222,82	220,02	240,0	-	-	51	-	-	12,36
TL 56-PC14M-37	14MB37056	9WF	FL182	56	3020	249,55	246,76	256,0	144	207	51	51	-	14,18		
Ghisa / Cast iron Grauguss / Fonte Hierro fundido	senza flangia / without flanges ohne Flanschen / sans flasques sin tapetas	TL 60-PC14M-37	14MB37060	9W	-	60	3020	267,38	264,58	-	159	224	51	51	-	16,54
		TL 64-PC14M-37	14MB37064	9W	-	64	3020	285,21	282,41	-	159	242	51	51	-	18,42
		TL 72-PC14M-37	14MB37072	9W	-	72	3020	320,86	318,06	-	159	278	51	51	-	22,52
		TL 80-PC14M-37	14MB37080	9W	-	80	3020	356,51	353,71	-	159	314	51	51	-	27,06
		TL 90-PC14M-37	14MB37090	9A	-	90	3020	401,07	398,27	-	159	360	51	51	-	33,27
		TL 112-PC14M-37	14MB37112	9A	-	112	3020	499,11	496,31	-	159	456	51	51	-	49,85
		TL 140-PC14M-37	14MB37140	7A	-	140	3525	623,89	621,09	-	206	581	51	65	7,0	79,63
		TL 168-PC14M-37	14MB37168	7A	-	168	3525	748,66	745,87	-	206	706	51	65	7,0	94,25
		TL 192-PC14M-37	14MB37192	7A	-	192	4030	855,61	852,82	-	215	812	51	76	12,5	122,63

PC14M-68

Caratteristiche Features Merkmale Características	Codice Code symbol Fabriknummer Code symbole Numero de fabrica	Nostro codice Our code Unser kode Notre code Nuestro codigo	Tipo Type Typ Tipo	Codice flangia Flange code Bordscheiben-Code Code flasque Código brida	N. denti N. of teeth Zahnezahl N. bre de dents Cantidad de dientes	Foro d / Bussola. Bush d / Bore. Bohrung d / Buchse. Alesage d / Moyeu. Agujero d / Casquillo.	Dp	De	Df	Dm	Di	F	S	R	Peso Weight Gewicht Poids Peso Kg	
Acciaio / Steel / Stahl Acier / Acero	con flangia / with flanges mit Flanges / avec flasques / con tapetas	34-PC14M-68	14M68034	6F	FL171	34	32	151,52	148,72	160,0	131	-	84	104	20,0	13,01
		36-PC14M-68	14M68036	6F	FL168	36	32	160,43	157,53	168,0	131	-	84	104	20,0	14,40
		38-PC14M-68	14M68038	6F	FL172	38	32	169,34	166,54	183,0	141	-	84	104	20,0	16,15
		40-PC14M-68	14M68040	6F	FL174	40	32	178,25	175,45	188,0	155	-	84	104	20,0	18,28
		TL 44-PC14M-68	14MB68044	4F	FL175	44	3020	196,08	193,28	211,0	-	153	84	51	16,5	14,03
		TL 48-PC14M-68	14MB68048	5F2	FL180	48	3020	213,9	211,11	226,0	-	171	84	51	33,0	15,11
		TL 50-PC14M-68	14MB68050	4F	FL169	50	3525	222,82	220,02	240,0	-	180	84	65	9,5	16,16
TL 56-PC14M-68	14MB68056	4F	FL182	56	3525	249,55	246,76	256,0	-	207	84	65	9,5	21,06		
Ghisa / Cast iron Grauguss / Fonte Hierro fundido	senza flangia / without flanges ohne Flanschen / sans flasques sin tapetas	TL 60-PC14M-68	14MB68060	4	-	60	3525	267,38	264,58	-	-	224	84	65	9,5	24,68
		TL 64-PC14M-68	14MB68064	4	-	64	3525	285,21	282,41	-	-	242	84	65	9,5	28,48
		TL 72-PC14M-68	14MB68072	9W	-	72	3525	320,86	318,06	-	178	278	84	65	9,5	37,28
		TL 80-PC14M-68	14MB68080	9W	-	80	3525	356,51	353,71	-	178	314	84	65	9,5	44,76
		TL 90-PC14M-68	14MB68090	9A	-	90	3525	401,07	398,27	-	178	360	84	65	9,5	54,99
		TL 112-PC14M-68	14MB68112	9A	-	112	3525	499,11	496,31	-	178	456	84	65	9,5	82,31
		TL 140-PC14M-68	14MB68140	9A	-	140	3525	623,89	621,09	-	206	581	84	65	9,5	107,81
		TL 168-PC14M-68	14MB68168	9A	-	168	3525	748,66	745,87	-	206	706	84	65	9,5	151,57
		TL 192-PC14M-68	14MB68192	9A	-	192	4030	855,61	852,82	-	215	812	84	76	4,0	195,32

PC14M-90

Caratteristiche Features Merkmale Características		Codice Code symbol Fabriknummer Code symbole Numero de fabrica	Nostro codice Our code Unser kode Notre code Nuestro codigo	Tipo Type Typ Type Tipo	Codice flangia Flange code Bordscheiben-Code Code flasque Código brida	Foro d / Bussola. Bush d / Bore. Bohrung d / Buchse. Alesage d / Moyeu. Agujero d / Casquillo.	N. denti N. of teeth Zahnezahl N. bre de dents Cantidad de dientes	Dp	De	Df	Dm	Di	F	S	R	Peso Weight Gewicht Poids Peso Kg
Acciaio / Steel / Stahl Acier / Acero	con flangia / with flanges mit Flanges / avec flasques con tapetas	36-PC14M-90	14M90036	6F	FL168	32	36	160,43	157,53	168,0	131	-	106	136	30,0	18,52
		38-PC14M-90	14M90038	6F	FL172	32	38	169,34	166,54	183,0	141	-	106	136	30,0	21,25
		40-PC14M-90	14M90040	6F	FL174	32	40	178,25	175,45	188,0	155	-	106	136	30,0	23,75
		44-PC14M-90	14M90044	6F	FL175	32	44	196,08	193,28	211,0	167	-	106	136	30,0	28,82
		TL 48-PC14M-90	14MB90048	4F	FL180	3525	48	213,9	211,11	226,0	-	171	106	66	20,0	17,84
Ghisa / Cast iron Grauguss / Fonte Hierro fundido	con flangia / with flanges mit Flanges / avec flasques con tapetas	TL 50-PC14M-90	14MB90050	4F	FL169	3525	50	222,82	220,02	240,0	-	180	106	66	20,0	18,32
		TL 56-PC14M-90	14MB90056	4F	FL182	3525	56	249,55	246,76	256,0	-	207	106	66	20,0	23,54
	senza flangia / without flanges ohne Flanschen / sans flasques sin tapetas	TL 60-PC14M-90	14MB90060	4	-	3525	60	267,38	264,58	-	-	224	106	66	20,0	27,42
		TL 64-PC14M-90	14MB90064	4	-	3525	64	285,21	282,41	-	-	242	106	66	20,0	31,45
		TL 72-PC14M-90	14MB90072	9W	-	3525	72	320,86	318,06	-	178	278	106	66	20,0	47,05
		TL 80-PC14M-90	14MB90080	9W	-	4030	80	356,51	353,71	-	215	314	106	76	15,0	58,85
		TL 90-PC14M-90	14MB90090	9W	-	4030	90	401,07	398,27	-	215	360	106	76	15,0	71,76
		TL 112-PC14M-90	14MB90112	9A	-	4535	112	499,11	496,31	-	215	456	106	90	8,0	105,81
		TL 140-PC14M-90	14MB90140	9A	-	4535	140	623,89	621,09	-	215	581	106	90	8,0	135,46
		TL 168-PC14M-90	14MB90168	9A	-	5040	168	748,66	745,87	-	267	708	106	102	2,0	193,77
		TL 192-PC14M-90	14MB90192	9A	-	5040	192	855,61	852,82	-	267	812	106	102	2,0	249,78

PC14M-125

Caratteristiche Features Merkmale Características		Codice Code symbol Fabriknummer Code symbole Numero de fabrica	Nostro codice Our code Unser kode Notre code Nuestro codigo	Tipo Type Typ Type Tipo	Codice flangia Flange code Bordscheiben-Code Code flasque Código brida	N. denti N. of teeth Zahnezahl N. bre de dents Cantidad de dientes	Foro d / Bussola. Bush d / Bore. Bohrung d / Buchse. Alesage d / Moyeu. Agujero d / Casquillo.	Dp	De	Df	Dm	Di	F	S	R	Peso Weight Gewicht Poids Peso Kg
Acciaio / Steel Stahl / Acier Acero	con flangia / with flanges mit Flanges / avec flasques con tapetas	38-PC14M-125	14M125038	6F	FL172	38	32	169,34	166,54	183,0	141	-	141	161	20,0	25,75
		40-PC14M-125	14M125040	6F	FL174	40	32	178,25	175,45	188,0	155	-	141	161	20,0	28,73
		44-PC14M-125	14M125044	6F	FL175	44	32	196,08	193,28	211,0	167	-	141	161	20,0	35,00
		48-PC14M-125	14M125048	6F	FL180	48	32	213,9	211,11	226,0	185	-	141	161	20,0	41,93
Ghisa / Cast iron Grauguss / Fonte Hierro fundido	con flangia / with flanges mit Flanges / avec flasques con tapetas	TL 50-PC14M-125	14MB125050	4F	FL169	50	3525	222,82	220,02	240,0	-	180	141	65	38,0	21,42
		TL 56-PC14M-125	14MB125056	4F	FL182	56	3525	249,55	246,76	256,0	-	207	141	65	38,0	27,00
	senza flangia / without flanges ohne Flanschen / sans flasques sin tapetas	TL 60-PC14M-125	14MB125060	4	-	60	4030	267,38	264,58	-	-	224	141	76	32,5	32,33
		TL 64-PC14M-125	14MB125064	4	-	64	4030	285,21	282,41	-	-	242	141	76	32,5	37,12
		TL 72-PC14M-125	14MB125072	9W	-	72	4030	320,86	318,06	-	215	278	141	76	32,5	65,74
		TL 80-PC14M-125	14MB125080	9W	-	80	4030	356,51	353,71	-	215	314	141	76	32,5	78,28
		TL 90-PC14M-125	14MB125090	9W	-	90	4030	401,07	398,27	-	215	360	141	76	32,5	95,46
		TL 112-PC14M-125	14MB125112	9A	-	112	4535	499,11	496,31	-	215	581	141	89	26,0	98,56
		TL 140-PC14M-125	14MB125140	9A	-	140	4535	623,89	621,09	-	215	581	141	89	26,0	180,19
		TL 168-PC14M-125	14MB125168	9A	-	168	5040	748,66	745,87	-	267	706	141	102	19,5	258,53
		TL 192-PC14M-125	14MB125192	9A	-	192	5040	855,61	852,82	-	267	812	141	102	19,5	332,26