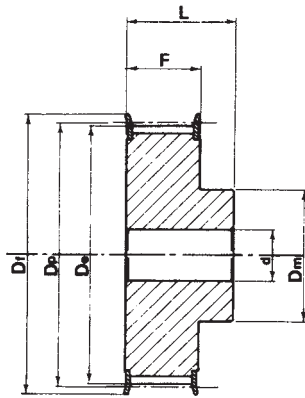
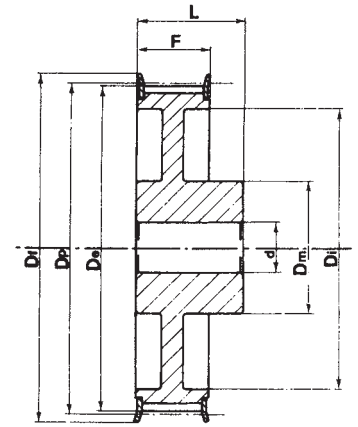


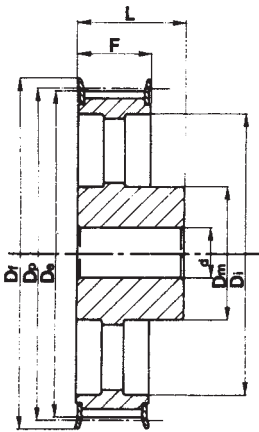
Tipo / Type  
6



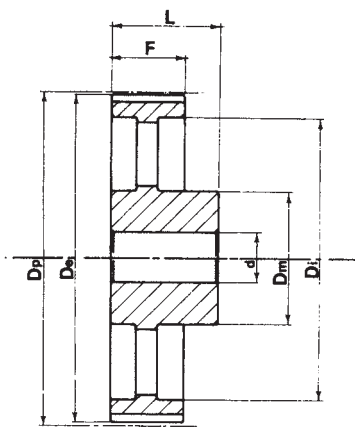
Tipo / Type  
6F



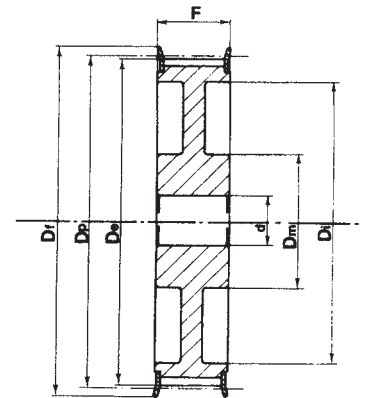
Tipo / Type  
6WF



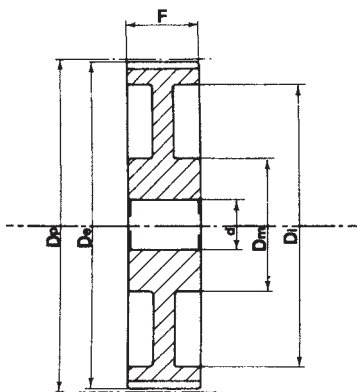
Tipo / Type  
6AF



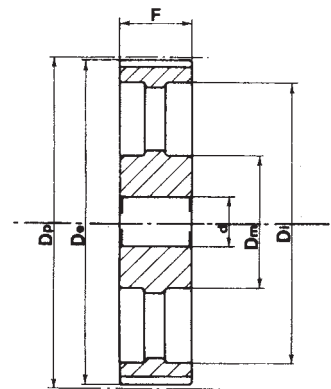
Tipo / Type  
6A



Tipo / Type  
10WF



Tipo / Type  
10W



Tipo / Type  
10A

**Pulegge dentate per cinghie HTD® / Timing belt pulleys HTD®**  
**HTD® Zahnriemenscheiben / Poulies dentées HTD®**  
**Poleas para correas dentadas HTD®**



**HTD® 8M-20**

| Caratteristiche<br>Features<br>Merkmale<br>Características<br>Características | Codice<br>Code symbol<br>Bezeichnung<br>Code symbole<br>Numero de fabrica | Nostro codice<br>Our code<br>Unser Code<br>Notre code<br>Nuestro codigo | Tipo<br>Type<br>Typ<br>Type<br>Tipo | Codice flangia<br>Flange code<br>Bordscheiben Typ<br>Code flasque<br>Código brida | N. denti<br>N. of teeth<br>Zähnezahl<br>N. bre de dents<br>Cantidad de dientes | Dp     | De     | Df    | Dm    | Di  | F  | L  | d    | Peso<br>Weight / Gewicht<br>Poids / Peso<br>Kg |
|---|---|---|-------------------------------------|---|--|--------|--------|-------|-------|-----|----|----|------|--|
| Acciaio / Steel / Stahl<br>Acier / Acero                                      | <b>22 8M 20</b>   | <b>08M2022</b>  | 6F                                  | FL053   | 22   | 56,02  | 54,65  | 60,0  | 43,0  | -   | 28 | 38 | 12   | 0,54   |
|   | <b>24 8M 20</b>   | <b>08M2024</b>  | 6F                                  | FL069   | 24   | 61,12  | 59,75  | 66,0  | 45,0  | -   | 28 | 38 | 12   | 0,65   |
|   | <b>26 8M 20</b>   | <b>08M2026</b>  | 6F                                  | FL061   | 26   | 66,21  | 64,84  | 70,0  | 48,0  | -   | 28 | 38 | 12   | 0,80   |
|   | <b>28 8M 20</b>   | <b>08M2028</b>  | 6F                                  | FL079   | 28   | 71,30  | 69,93  | 75,0  | 50,0  | -   | 28 | 38 | 15   | 0,87   |
|   | <b>30 8M 20</b>   | <b>08M2030</b>  | 6F                                  | FL073   | 30   | 76,39  | 75,02  | 83,0  | 55,0  | -   | 28 | 38 | 15   | 1,02   |
|   | <b>32 8M 20</b>   | <b>08M2032</b>  | 6F                                  | FL076   | 32   | 81,49  | 80,16  | 87,0  | 60,0  | -   | 28 | 38 | 15   | 1,20   |
|   | <b>34 8M 20</b>   | <b>08M2034</b>  | 6F                                  | FL066   | 34   | 86,58  | 85,22  | 91,0  | 70,0  | -   | 28 | 38 | 15   | 1,40   |
|   | <b>36 8M 20</b>   | <b>08M2036</b>  | 6F                                  | FL068   | 36   | 91,67  | 90,30  | 97,0  | 75,0  | -   | 28 | 38 | 15   | 1,55   |
|   | <b>38 8M 20</b>   | <b>08M2038</b>  | 6F                                  | FL070   | 38   | 96,77  | 95,39  | 102,0 | 75,0  | -   | 28 | 38 | 15   | 1,65   |
|   | <b>40 8M 20</b>   | <b>08M2040</b>  | 6F                                  | FL077   | 40   | 101,86 | 100,49 | 106,0 | 75,0  | -   | 28 | 38 | 15   | 1,74   |
|   | <b>44 8M 20</b>   | <b>08M2044</b>  | 6F                                  | FL075   | 44   | 112,05 | 110,67 | 120,0 | 75,0  | -   | 28 | 38 | 15   | 2,10   |
|   | <b>48 8M 20</b>   | <b>08M2048</b>  | 6F                                  | FL078   | 48   | 122,23 | 120,86 | 128,0 | 75,0  | -   | 28 | 38 | 15   | 2,44   |
|   | <b>56 8M 20</b>   | <b>08M2056</b>  | 6WF                                 | FL085   | 56   | 142,60 | 141,23 | 150,0 | 80,0  | 116 | 28 | 38 | 15   | 2,60   |
|   | <b>64 8M 20</b>   | <b>08M2064</b>  | 6WF                                 | FL090   | 64   | 162,97 | 161,60 | 168,0 | 80,0  | 137 | 28 | 38 | 15   | 2,90   |
| <b>72 8M 20</b>   | <b>08M2072</b>  | 6WF   | FL097                               | 72  | 183,35   | 181,97 | 192,0  | 80,0  | 158   | 28  | 38 | 15 | 3,10 |  |
| Ghisa / Cast iron<br>Grauguss / Fonte<br>Hierro fundido                       | <b>80 8M 20</b>   | <b>08M2080</b>  | 6W                                  | -   | 80   | 203,72 | 202,35 | -     | 90,0  | 180 | 28 | 38 | 15   | 3,80   |
|   | <b>90 8M 20</b>   | <b>08M2090</b>  | 6A                                  | -   | 90   | 229,18 | 227,81 | -     | 90,0  | 204 | 28 | 38 | 15   | 4,20   |
|   | <b>112 8M 20</b>  | <b>08M2011</b>  | 6A                                  | -   | 112  | 285,21 | 283,83 | -     | 90,0  | 254 | 28 | 38 | 18   | 5,20   |
|   | <b>144 8M 20</b>  | <b>08M2014</b>  | 6A                                  | -   | 144  | 366,69 | 365,32 | -     | 90,0  | 336 | 28 | 38 | 20   | 7,50   |
|   | <b>168 8M 20</b>  | <b>08M2016</b>  | 6A                                  | -   | 168  | 427,81 | 426,44 | -     | 100,0 | 400 | 28 | 38 | 20   | 10,00  |
|   | <b>192 8M 20</b>  | <b>08M2019</b>  | 6A                                  | -   | 192  | 488,92 | 487,55 | -     | 100,0 | 460 | 28 | 38 | 20   | 14,40  |

**HTD® 8M 30**

| Caratteristiche<br>Features<br>Merkmale<br>Características<br>Características | Codice<br>Code symbol<br>Bezeichnung<br>Code symbole<br>Numero de fabrica | Nostro codice<br>Our code<br>Unser Code<br>Notre code<br>Nuestro codigo | Tipo<br>Type<br>Typ<br>Type<br>Tipo | Codice flangia<br>Flange code<br>Bordscheiben Typ<br>Code flasque<br>Código brida | N. denti<br>N. of teeth<br>Zähnezahl<br>N. bre de dents<br>Cantidad de dientes | Dp     | De     | Df    | Dm    | Di  | F  | L  | d    | Peso<br>Weight / Gewicht<br>Poids / Peso<br>Kg |
|---|---|---|-------------------------------------|---|--|--------|--------|-------|-------|-----|----|----|------|--|
| Acciaio / Steel / Stahl<br>Acier / Acero                                      | <b>22 8M 30</b>   | <b>08M3022</b>  | 6F                                  | FL053   | 22   | 56,02  | 54,65  | 60,0  | 43,0  | -   | 38 | 48 | 12   | 0,69   |
|   | <b>24 8M 30</b>   | <b>08M3024</b>  | 6F                                  | FL069   | 24   | 61,12  | 59,75  | 66,0  | 45,0  | -   | 38 | 48 | 12   | 0,84   |
|   | <b>26 8M 30</b>   | <b>08M3026</b>  | 6F                                  | FL061   | 26   | 66,21  | 64,84  | 70,0  | 48,0  | -   | 38 | 48 | 12   | 1,00   |
|   | <b>28 8M 30</b>   | <b>08M3028</b>  | 6F                                  | FL079   | 28   | 71,30  | 69,93  | 75,0  | 50,0  | -   | 38 | 48 | 15   | 1,12   |
|   | <b>30 8M 30</b>   | <b>08M3030</b>  | 6F                                  | FL073   | 30   | 76,39  | 75,02  | 83,0  | 55,0  | -   | 38 | 48 | 15   | 1,32   |
|   | <b>32 8M 30</b>   | <b>08M3032</b>  | 6F                                  | FL076   | 32   | 81,49  | 80,16  | 87,0  | 60,0  | -   | 38 | 48 | 15   | 1,53   |
|   | <b>34 8M 30</b>   | <b>08M3034</b>  | 6F                                  | FL066   | 34   | 86,58  | 85,22  | 91,0  | 70,0  | -   | 38 | 48 | 15   | 1,80   |
|   | <b>36 8M 30</b>   | <b>08M3036</b>  | 6F                                  | FL068   | 36   | 91,67  | 90,30  | 97,0  | 75,0  | -   | 38 | 48 | 15   | 1,99   |
|   | <b>38 8M 30</b>   | <b>08M3038</b>  | 6F                                  | FL070   | 38   | 96,77  | 95,39  | 102,0 | 75,0  | -   | 38 | 48 | 15   | 2,27   |
|   | <b>40 8M 30</b>   | <b>08M3040</b>  | 6F                                  | FL077   | 40   | 101,86 | 100,49 | 106,0 | 75,0  | -   | 38 | 48 | 15   | 2,40   |
|   | <b>44 8M 30</b>   | <b>08M3044</b>  | 6F                                  | FL075   | 44   | 112,05 | 110,67 | 120,0 | 75,0  | -   | 38 | 48 | 15   | 2,80   |
|   | <b>48 8M 30</b>   | <b>08M3048</b>  | 6F                                  | FL078   | 48   | 122,23 | 120,86 | 128,0 | 75,0  | -   | 38 | 48 | 15   | 3,20   |
|   | <b>56 8M 30</b>   | <b>08M3056</b>  | 6WF                                 | FL085   | 56   | 142,60 | 141,23 | 150,0 | 90,0  | 116 | 38 | 48 | 15   | 3,60   |
|   | <b>64 8M 30</b>   | <b>08M3064</b>  | 6WF                                 | FL090   | 64   | 162,97 | 161,60 | 168,0 | 90,0  | 137 | 38 | 48 | 15   | 4,30   |
| <b>72 8M 30</b>   | <b>08M3072</b>  | 6WF   | FL097                               | 72  | 183,35   | 181,97 | 192,0  | 95,0  | 158   | 38  | 48 | 15 | 4,80 |  |
| Ghisa / Cast iron<br>Grauguss / Fonte<br>Hierro fundido                       | <b>80 8M 30</b>   | <b>08M3080</b>  | 6W                                  | -   | 80   | 203,72 | 202,35 | -     | 100,0 | 180 | 38 | 48 | 15   | 5,10   |
|   | <b>90 8M 30</b>   | <b>08M3090</b>  | 6A                                  | -   | 90   | 229,18 | 227,81 | -     | 100,0 | 204 | 38 | 48 | 15   | 5,70   |
|   | <b>112 8M 30</b>  | <b>08M3011</b>  | 6A                                  | -   | 112  | 285,21 | 283,83 | -     | 100,0 | 254 | 38 | 48 | 18   | 6,80   |
|   | <b>144 8M 30</b>  | <b>08M3014</b>  | 6A                                  | -   | 144  | 366,69 | 365,32 | -     | 100,0 | 336 | 38 | 48 | 20   | 9,30   |
|   | <b>168 8M 30</b>  | <b>08M3016</b>  | 6A                                  | -   | 168  | 427,81 | 426,44 | -     | 100,0 | 400 | 38 | 48 | 20   | 11,40  |
|   | <b>192 8M 30</b>  | <b>08M3019</b>  | 6A                                  | -   | 192  | 488,92 | 487,55 | -     | 100,0 | 460 | 38 | 48 | 20   | 16,00  |

### HTD® 8M-50

| Caratteristiche<br>Features<br>Merkmale<br>Características | Codice<br>Code symbol<br>Bezeichnung<br>Code symbole<br>Numero de fabrica | Nostro codice<br>Our code<br>Unser Code<br>Notre code<br>Nuestro codigo | Tipo<br>Type<br>Typ<br>Type<br>Tipo | Codice flangia<br>Flange code<br>Bordscheiben Typ<br>Code flasque<br>Código brida | N. denti<br>N. of teeth<br>Zähnezahl<br>N. bre de dents<br>Cantidad de dientes | Dp     | De     | Df    | Dm    | Di  | F  | L  | d    | Peso<br>Weight / Gewicht<br>Poids / Peso<br>Kg |
|--|---|---|-------------------------------------|---|--|--------|--------|-------|-------|-----|----|----|------|--|
| Acciaio / Steel / Stahl<br>Acier / Acero                   | <b>22 8M 50</b>   | <b>08M5022</b>  | 6F                                  | FL053   | 22   | 56,02  | 54,65  | 60,0  | 43,0  | -   | 60 | 70 | 12   | 1,00   |
|  | <b>24 8M 50</b>   | <b>08M5024</b>  | 6F                                  | FL069   | 24   | 61,12  | 59,75  | 66,0  | 45,0  | -   | 60 | 70 | 12   | 1,23   |
|  | <b>26 8M 50</b>   | <b>08M5026</b>  | 6F                                  | FL061   | 26   | 66,21  | 64,84  | 70,0  | 48,0  | -   | 60 | 70 | 15   | 1,50   |
|  | <b>28 8M 50</b>   | <b>08M5028</b>  | 6F                                  | FL079   | 28   | 71,30  | 69,93  | 75,0  | 50,0  | -   | 60 | 70 | 15   | 1,67   |
|  | <b>30 8M 50</b>   | <b>08M5030</b>  | 6F                                  | FL073   | 30   | 76,39  | 75,02  | 83,0  | 55,0  | -   | 60 | 70 | 15   | 1,97   |
|  | <b>32 8M 50</b>   | <b>08M5032</b>  | 6F                                  | FL076   | 32   | 81,49  | 80,16  | 87,0  | 60,0  | -   | 60 | 70 | 15   | 2,27   |
|  | <b>34 8M 50</b>   | <b>08M5034</b>  | 6F                                  | FL066   | 34   | 86,58  | 85,22  | 91,0  | 70,0  | -   | 60 | 70 | 15   | 2,69   |
|  | <b>36 8M 50</b>   | <b>08M5036</b>  | 6F                                  | FL068   | 36   | 91,67  | 90,30  | 97,0  | 75,0  | -   | 60 | 70 | 15   | 2,97   |
|  | <b>38 8M 50</b>   | <b>08M5038</b>  | 6F                                  | FL070   | 38   | 96,77  | 95,39  | 102,0 | 75,0  | -   | 60 | 70 | 15   | 3,23   |
|  | <b>40 8M 50</b>   | <b>08M5040</b>  | 6F                                  | FL077   | 40   | 101,86 | 100,49 | 106,0 | 75,0  | -   | 60 | 70 | 18   | 3,50   |
|  | <b>44 8M 50</b>   | <b>08M5044</b>  | 6F                                  | FL075   | 44   | 112,05 | 110,67 | 120,0 | 75,0  | -   | 60 | 70 | 18   | 3,90   |
|  | <b>48 8M 50</b>   | <b>08M5048</b>  | 6F                                  | FL078   | 48   | 122,23 | 120,86 | 128,0 | 75,0  | -   | 60 | 70 | 18   | 4,30   |
|  | <b>56 8M 50</b>   | <b>08M5056</b>  | 10WF                                | FL085   | 56   | 142,60 | 141,23 | 150,0 | 80,0  | 116 | 60 | 60 | 18   | 5,00   |
|  | <b>64 8M 50</b>   | <b>08M5064</b>  | 10WF                                | FL090   | 64   | 162,97 | 161,60 | 168,0 | 80,0  | 137 | 60 | 60 | 18   | 5,60   |
| <b>72 8M 50</b>  | <b>08M5072</b>  | 10WF  | FL097                               | 72  | 183,35   | 181,97 | 192,0  | 80,0  | 158   | 60  | 60 | 18 | 6,80 |  |
| Ghisa / Cast iron<br>Grauguss / Fonte<br>Hierro fundido    | <b>80 8M 50</b>   | <b>08M5080</b>  | 10W                                 | -   | 80   | 203,72 | 202,35 | -     | 110,0 | 180 | 60 | 60 | 18   | 6,90   |
|  | <b>90 8M 50</b>   | <b>08M5090</b>  | 10A                                 | -   | 90   | 229,18 | 227,81 | -     | 110,0 | 204 | 60 | 60 | 18   | 8,60   |
|  | <b>112 8M 50</b>  | <b>08M5011</b>  | 10A                                 | -   | 112  | 285,21 | 283,83 | -     | 110,0 | 254 | 60 | 60 | 18   | 9,60   |
|  | <b>144 8M 50</b>  | <b>08M5014</b>  | 10A                                 | -   | 144  | 366,69 | 365,32 | -     | 110,0 | 336 | 60 | 60 | 20   | 13,80  |
|  | <b>168 8M 50</b>  | <b>08M5016</b>  | 10A                                 | -   | 168  | 427,81 | 426,44 | -     | 120,0 | 400 | 60 | 60 | 20   | 16,00  |
|  | <b>192 8M 50</b>  | <b>08M5019</b>  | 10A                                 | -   | 192  | 488,92 | 487,55 | -     | 130,0 | 460 | 60 | 60 | 20   | 22,40  |

### HTD® 8M-85

| Caratteristiche<br>Features<br>Merkmale<br>Características | Codice<br>Code symbol<br>Bezeichnung<br>Code symbole<br>Numero de fabrica | Nostro codice<br>Our code<br>Unser Code<br>Notre code<br>Nuestro codigo | Tipo<br>Type<br>Typ<br>Type<br>Tipo | Codice flangia<br>Flange code<br>Bordscheiben Typ<br>Code flasque<br>Código brida | N. denti<br>N. of teeth<br>Zähnezahl<br>N. bre de dents<br>Cantidad de dientes | Dp     | De     | Df    | Dm    | Di  | F  | L   | d     | Peso<br>Weight / Gewicht<br>Poids / Peso<br>Kg |
|--|---|---|-------------------------------------|---|--|--------|--------|-------|-------|-----|----|-----|-------|--|
| Acciaio / Steel / Stahl<br>Acier / Acero                   | <b>22 8M 85</b>   | <b>08M8522</b>  | 6F                                  | FL053   | 22   | 56,02  | 54,65  | 60,0  | 43,0  | -   | 95 | 105 | 12    | 1,55   |
|  | <b>24 8M 85</b>   | <b>08M8524</b>  | 6F                                  | FL069   | 24   | 61,12  | 59,75  | 66,0  | 45,0  | -   | 95 | 105 | 12    | 1,90   |
|  | <b>26 8M 85</b>   | <b>08M8526</b>  | 6F                                  | FL061   | 26   | 66,21  | 64,84  | 70,0  | 48,0  | -   | 95 | 105 | 12    | 2,25   |
|  | <b>28 8M 85</b>   | <b>08M8528</b>  | 6F                                  | FL079   | 28   | 71,30  | 69,93  | 75,0  | 50,0  | -   | 95 | 105 | 15    | 2,55   |
|  | <b>30 8M 85</b>   | <b>08M8530</b>  | 6F                                  | FL073   | 30   | 76,39  | 75,02  | 83,0  | 55,0  | -   | 95 | 105 | 15    | 3,00   |
|  | <b>32 8M 85</b>   | <b>08M8532</b>  | 6F                                  | FL076   | 32   | 81,49  | 80,16  | 87,0  | 60,0  | -   | 95 | 105 | 15    | 3,57   |
|  | <b>34 8M 85</b>   | <b>08M8534</b>  | 6F                                  | FL066   | 34   | 86,58  | 85,22  | 91,0  | 66,0  | -   | 95 | 105 | 15    | 4,00   |
|  | <b>36 8M 85</b>   | <b>08M8536</b>  | 6F                                  | FL068   | 36   | 91,67  | 90,30  | 97,0  | 70,0  | -   | 95 | 105 | 15    | 4,50   |
|  | <b>38 8M 85</b>   | <b>08M8538</b>  | 6F                                  | FL070   | 38   | 96,77  | 95,39  | 102,0 | 75,0  | -   | 95 | 105 | 15    | 5,00   |
|  | <b>40 8M 85</b>   | <b>08M8540</b>  | 6F                                  | FL077   | 40   | 101,86 | 100,49 | 106,0 | 75,0  | -   | 95 | 105 | 18    | 5,20   |
|  | <b>44 8M 85</b>   | <b>08M8544</b>  | 6F                                  | FL075   | 44   | 112,05 | 110,67 | 120,0 | 75,0  | -   | 95 | 105 | 18    | 6,60   |
|  | <b>48 8M 85</b>   | <b>08M8548</b>  | 6F                                  | FL078   | 48   | 122,23 | 120,86 | 128,0 | 80,0  | -   | 95 | 105 | 18    | 7,00   |
|  | <b>56 8M 85</b>   | <b>08M8556</b>  | 6F                                  | FL085   | 56   | 142,60 | 141,23 | 150,0 | 90,0  | -   | 95 | 105 | 18    | 10,00  |
|  | <b>64 8M 85</b>   | <b>08M8564</b>  | 10WF                                | FL090   | 64   | 162,97 | 161,60 | 168,0 | 100,0 | 137 | 95 | 95  | 20    | 10,40  |
| <b>72 8M 85</b>  | <b>08M8572</b>  | 10WF  | FL097                               | 72  | 183,35   | 181,97 | 192,0  | 100,0 | 158   | 95  | 95 | 20  | 11,40 |  |
| Ghisa / Cast iron<br>Grauguss / Fonte<br>Hierro fundido    | <b>80 8M 85</b>   | <b>08M8580</b>  | 10W                                 | -   | 80   | 203,72 | 202,35 | -     | 110,0 | 180 | 95 | 95  | 20    | 11,10  |
|  | <b>90 8M 85</b>   | <b>08M8590</b>  | 10A                                 | -   | 90   | 229,18 | 227,81 | -     | 110,0 | 204 | 95 | 95  | 20    | 12,20  |
|  | <b>112 8M 85</b>  | <b>08M8511</b>  | 10A                                 | -   | 112  | 285,21 | 283,83 | -     | 110,0 | 254 | 95 | 95  | 24    | 15,00  |
|  | <b>144 8M 85</b>  | <b>08M8514</b>  | 10A                                 | -   | 144  | 366,69 | 365,32 | -     | 110,0 | 336 | 95 | 95  | 24    | 21,50  |
|  | <b>168 8M 85</b>  | <b>08M8516</b>  | 10A                                 | -   | 168  | 427,81 | 426,44 | -     | 120,0 | 400 | 95 | 95  | 24    | 24,10  |
|  | <b>192 8M 85</b>  | <b>08M8519</b>  | 10A                                 | -   | 192  | 488,92 | 487,55 | -     | 130,0 | 460 | 95 | 95  | 24    | 30,60  |