

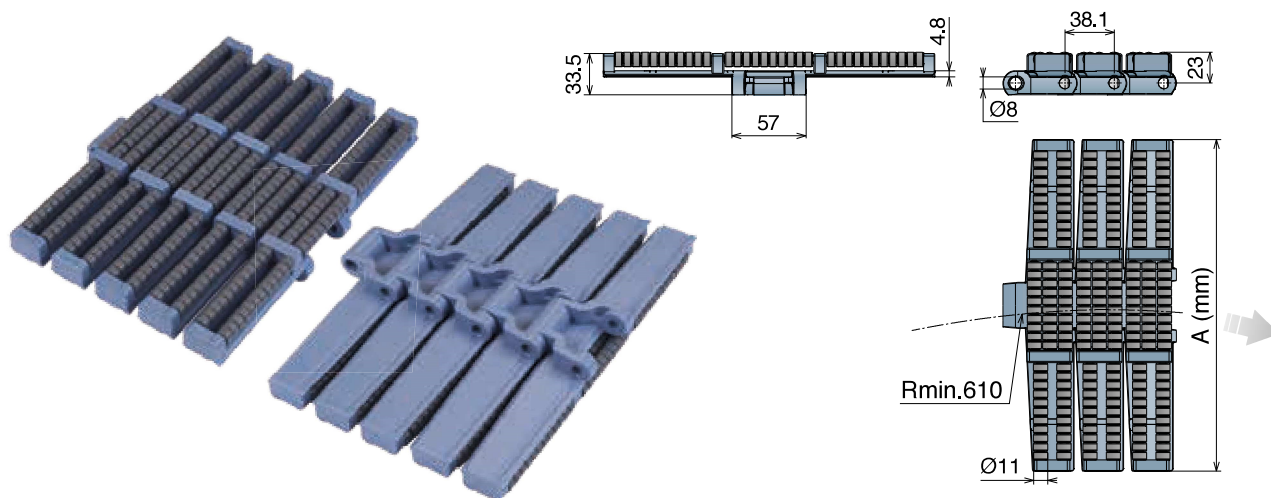
# 882 M LBP

Catene in plastica / Plastic chains / Scharnierbandketten aus Kunststoff

## 882 M LBP

Catena curvilinea  
Sideflexing chain / Kurvengängige Scharnierbandkette

Pins: Ferritic Stainless Steel | Backflex radius min.: 150 mm



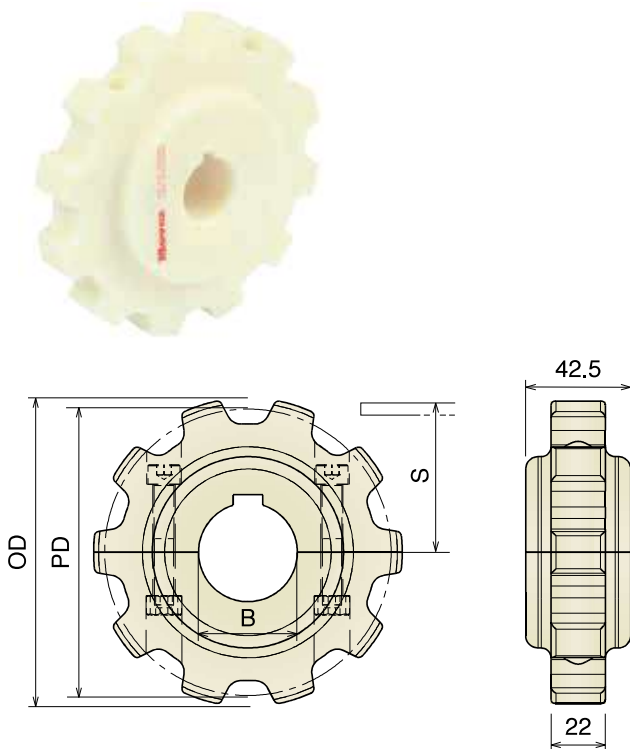
### Magnetic System



Article-Nr.	Ref.	A (Plate Width) mm	Weight kg/m	Max working load (N)	Material
11170107	LFA 882 M LBP K750	190,5	3,92	3830	LFA
11170108	LFA 882 M LBP K1000	254,0	4,94		
11170109	LFA 882 M LBP K1200	304,8	5,82		

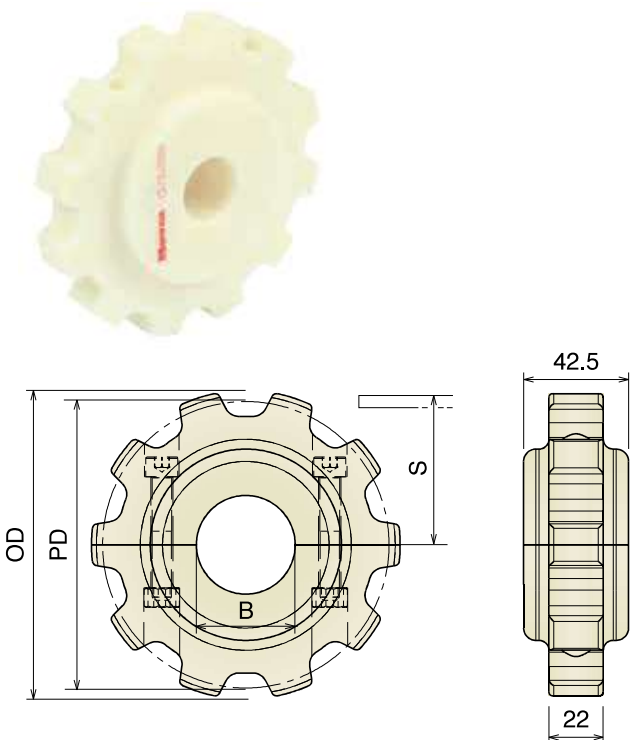
## 882 Ruota traino divisa, fresata Split drive sprocket, machined / geteiltes Antriebskettenrad gefräst

Also suitable for Series 8257



Part	Article-Nr.	Z-	Bore	PD	OD	S
551	55101	9	25	111,4	112,0	60,5
551	55102		30			
551	55103		35			
551	55104		40			
552	55201	10	25	123,2	125,0	66,4
552	55202		30			
552	55203		35			
552	55204		40			
553	55301	11	25	135,2	137,0	72,4
553	55302		30			
553	55303		35			
553	55304		40			
554	55401	12	25	147,2	149,0	78,4
554	55402		30			
554	55403		35			
554	55404		40			

## Ruota rinvio divisa, fresata Split idler sprocket, machined / geteiltes Umlenkrad, gefräst



Part	Article-Nr.	Z-	Bore	PD	OD	S
551	55150	9	18*	111,4	112,0	60,5
551	55151		25			
551	55152		30			
551	55153		35			
551	55154		40			
552	55250	10	18*	123,2	125,0	66,4
552	55251		25			
552	55252		30			
552	55253		35			
552	55254		40			
553	55350	11	18*	135,2	137,0	72,4
553	55351		25			
553	55352		30			
553	55353		35			
553	55354		40			
554	55450	12	18*	147,2	149,0	78,4
554	55451		25			
554	55452		30			
554	55453		35			
554	55454		40			

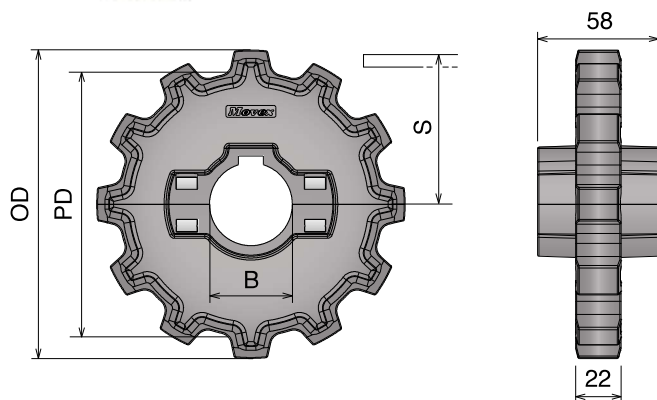
\*Plain Bore

**Materiale / Material / Materialien:**

Poliamide rinforzato / Polyamide reinforced / Verstärktes Polyamid  
 Viti: Acciaio inox / Screws: Stainless steel / Schrauben: Edelstahl  
 Dadi: Ottone nichelato / Nuts: Nickel plated brass / Mutter: Messing

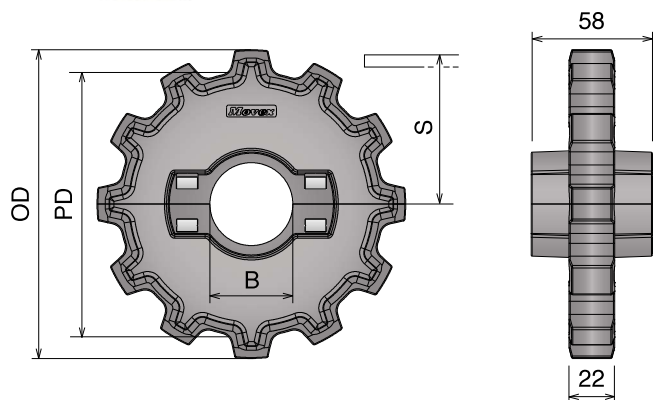
**882** Ruota traino divisa, stampata  
 Split drive sprocket, molded / geteiltes Antriebskettenrad, gespritzt

Also suitable for Series 8257



Part	Article-Nr.	Z-	Bore	PD	OD	S
555	55501	10	25	123,2	125,0	66,4
555	55502		30			
555	55503		35			
555	55504		40			
556	55601	12	25	147,2	149,0	78,4
556	55602		30			
556	55603		35			
556	55604		40			

**Ruota rinvio divisa, stampata**  
 Split idler sprocket, molded / geteiltes Umlenkrad, gespritzt



Part	Article-Nr.	Z-	Bore	PD	OD	S
555	55551	10	25	123,2	125,0	66,4
555	55552		30			
555	55553		35			
555	55554		40			
556	55651	12	25	147,2	149,0	78,4
556	55652		30			
556	55653		35			
556	55654		40			

# 881 TAB-882 M

Ruote folli per catene / Chain idler wheels / Umlenkrollen für Scharnierbandketten

Materiale / Material / Materialien:

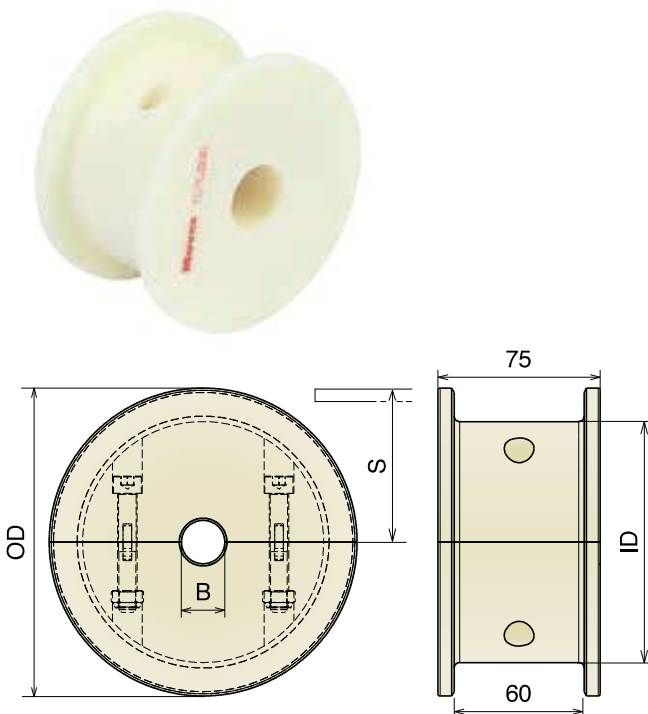
Poliamide/Polyamide/Polyamid

Viti: Acciaio inox/Screws: Stainless steel/Schrauben: Edelstahl

Dadi: ferro zincato/Nuts: zinc plated steel/Mutter: verzinkter Stahl

## 881 TAB

Ruota rinvio liscia, divisa, fresata  
Split idler wheel, machined / geteilte Umlenkrolle, gefräst

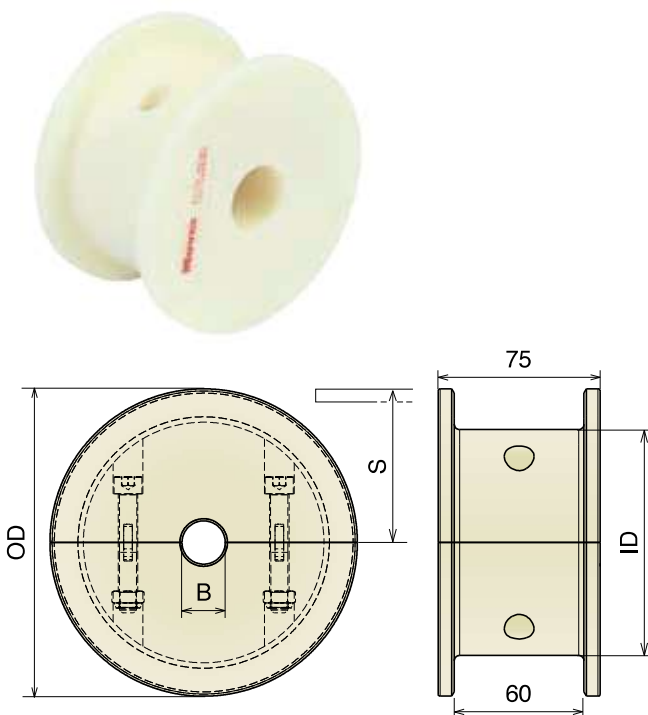


Part	Article-Nr.	ecq. Z.	Bore	OD	ID	S
618	61800	17	20	104,0	66,0	56,2
618	61801		25			
618	61802		30			
618	61803		35			
618	61804		40			
619	61900	19	20	117,0	75,0	62,6
619	61901		25			
619	61902		30			
619	61903		35			
619	61904		40			
620	62000	21	20	129,8	95,0	68,6
620	62001		25			
620	62002		30			
620	62003		35			
620	62004		40			
621	62100	23	20	142,2	108,0	74,6
621	62101		25			
621	62102		30			
621	62103		35			
621	62104		40			
622	62200	25	20	154,7	112,0	80,5
622	62201		25			
622	62202		30			
622	62203		35			
622	62204		40			
623	62300	27	20	167,2	120,0	88,5
623	62301		25			
623	62302		30			
623	62303		35			
623	62304		40			
624	62400	29	20	179,3	130,0	92,8
624	62401		25			
624	62402		30			
624	62403		35			
624	62404		40			

## 882 M

Ruota rinvio liscia, divisa, fresata  
Split idler wheel, machined / geteilte Umlenkrolle, gefräst

Also suitable for Series 8257 - 8157 - 8857 M



Part	Article-Nr.	ecq. Z.	Bore	OD	ID	S
629	62900	17	20	104,0	75,2	56,2
629	62901		25			
629	62902		30			
629	62903		35			
629	62904		40			
630	63000	19	20	117,0	92,2	62,6
630	63001		25			
630	63002		30			
630	63003		35			
630	63004		40			
631	63100	21	20	129,8	105,0	68,6
631	63101		25			
631	63102		30			
631	63103		35			
631	63104		40			
632	63200	23	20	142,2	111,3	74,6
632	63201		25			
632	63202		30			
632	63203		35			
632	63204		40			
633	63300	25	20	154,7	124,7	80,5
633	63301		25			
633	63302		30			
633	63303		35			
633	63304		40			
634	63400	27	20	167,2	135,0	88,5
634	63401		25			
634	63402		30			
634	63403		35			
634	63404		40			
635	63500	29	20	179,3	140,0	92,8
635	63501		25			
635	63502		30			
635	63503		35			
635	63504		40			

# LBP 882 K750 MP861 Series

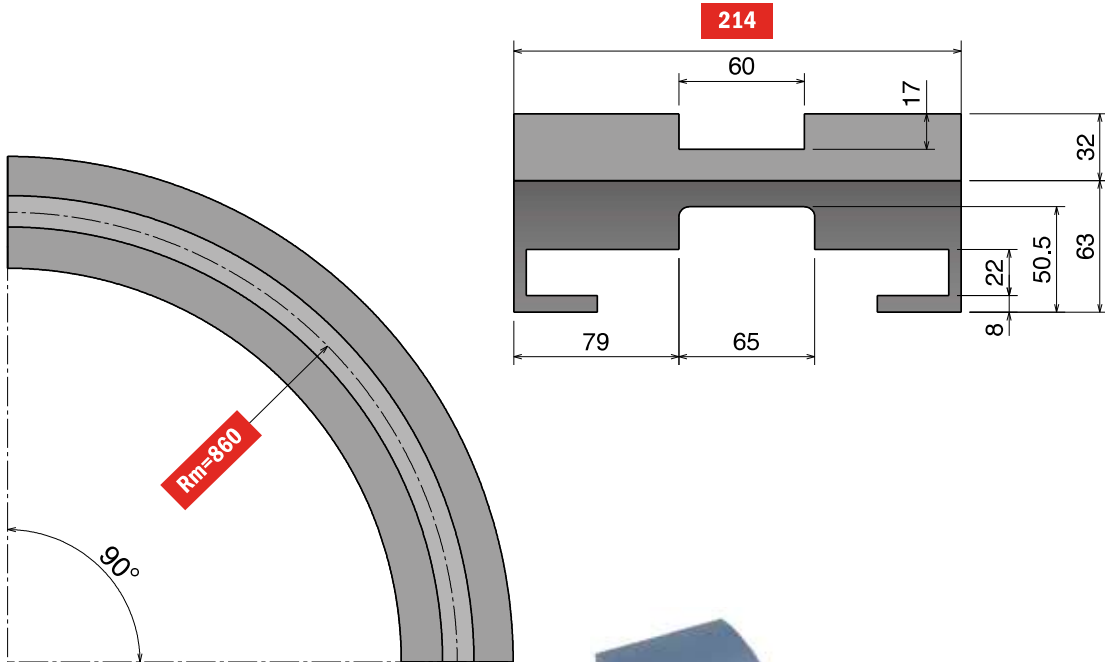
Curve magnetische, Tab & Bevel / Magnetic, Tab & Bevel corner tracks / Kurvenführungen Magnet, Tab & Bevel Version

Materiale / Material / Materialien:  
 Polietilene UHMW-PE  
 Polyethylene UHMW-PE  
 Polyäthylen UHMW-PE

## LBP 882 K750 MP861 Series

Chain Reference LBP 882 M - K750

Curva Larghezza Base = 214 mm  
 Curve Basic Width = 214 mm  
 Kurve Basisbreite = 214 mm

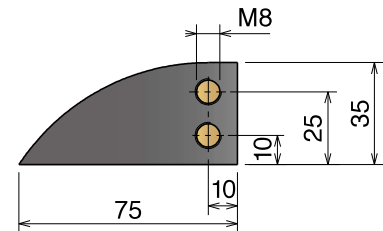


AVAILABLE  
 ALSO  
 15° 30° 45°  
 60° 75°

IN & OUT  
 AVAILABLE ALSO  
 125 mm - 100 mm - 50 mm



Available in  
**BluLub**



### Magnetic System

Upper part available, on request,  
 also in **BluLub**  
 and for abrasive applications.

Part	Article-Nr.	Tracks	W	Material
781	78118610	1	214	Standard codes on table



add "B" for  
**BluLub**

add "C"  
 for abrasive

Part	Article-Nr.	Tracks	W	Material
781	78118610RS	1	270	RS



add "RS" for  
 RS-version

Materiale / Material / Materialien:  
 Polietilene UHMW-PE  
 Polyethylene UHMW-PE  
 Polyäthylen UHMW-PE

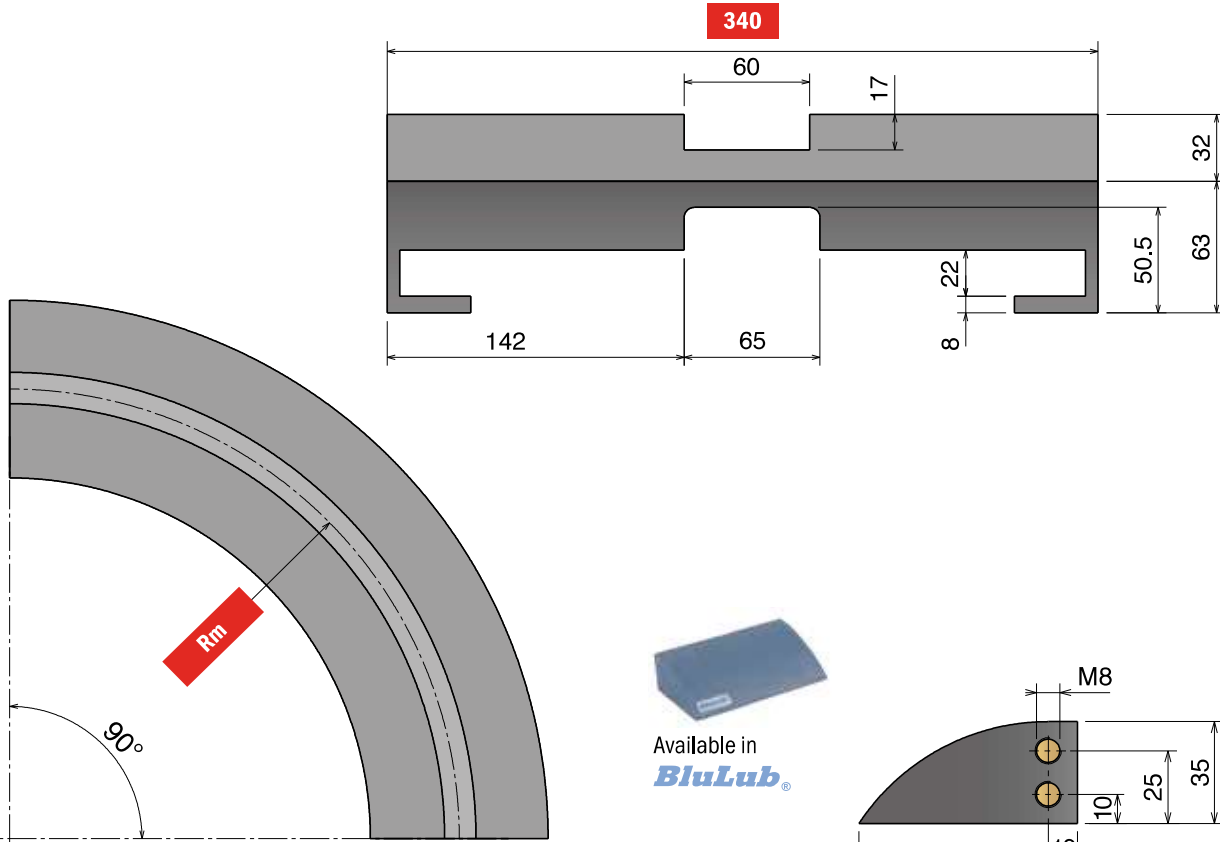
# LBP 882 K1200 MP971/MP981 Series

Curve magnetiche, Tab & Bevel / Magnetic, Tab & Bevel corner tracks / Kurvenführungen Magnet, Tab & Bevel Version

## LBP 882 K1200 MP971/MP981 Series

Chain Reference LBP 882 M - K1200

Curva Larghezza Base = 340 mm  
 Curve Basic Width = 340 mm  
 Kurve Basisbreite = 340 mm




**AVAILABLE**  
**ALSO**  
 15° 30° 45°  
 60° 75°

IN & OUT  
 AVAILABLE ALSO  
 125 mm - 100 mm - 50 mm

Available in **BluLub**


Upper part available, on request, also in **BluLub** and for abrasive applications.

### Magnetic System

Part	Article-Nr.	Tracks	Rm	W	Material
783	78318610	1	860	340	 <b>Standard</b> codes on table
783	78319610	1	1000	340	

add "B" for **BluLub**

add "C" for abrasive

Part	Article-Nr.	Tracks	Rm	W	Material
783	78318610RS	1	860	340	 <b>RS</b> add "RS" for RS-version
783	78319610RS	1	1000	340	

Curve magnetiche, Tab & Bevel / Magnetic, Tab & Bevel corner tracks / Kurvenführungen Magnet, Tab & Bevel Version

## Material Chemical Resistances

Chemical Agent up to 65°C	Polyamide	Steel	Stainless Steel Aisi 304	Stainless Steel Aisi 430	LF	MX	UHMW PE	PP/PPX
Acetone	G	U	G	G	G	A	G	G
Acetic acid (max 5%)	U	U	G	U	U	G	G	G
Alcohol	G	G	G	G	G	G	G	G
Ammonia	G	A	G	G	U	A	G	G
Beer	G	G	G	G	G	G	G	G
Benzene	G	G	G	G	G	U	A	G
Benzol	G	G	G	G	G	G	G	A
Carbon tetrachloride	G	A	A	A	G	/	A	U
Chocolat	A	G	G	G	G	G	A	G
Citric acid	A	U	G	A	A	G	G	G
Formic acid	U	G	G	G	G	A	G	/
Fresh water	G	U	G	G	G	G	G	G
Fruit juices	G	U	G	A	G	G	G	G
Hydrochloric acid (max 2%)	U	U	U	U	U	A	A	G
Hydrogen peroxide	U	U	G	A	U	/	A	/
Iodine	U	A	A	A	A	/	A	/
Lactic acid	G	U	G	U	G	G	G	G
Milk	G	G	G	G	G	G	G	G
Mustard	A	G	G	G	A	/	A	G
Nitric acid	U	U	G	A	U	U	A	G
Oil (vegetable or mineral)	G	G	G	G	G	U	G	G
Paraffin	G	G	G	G	G	G	G	/
Petrol	G	G	G	G	G	G	A	G
Phosphoric acid (max 10%)	U	U	G	U	U	U	G	G
Sea water	U	A	G	A	G	G	G	G
Soap and water	G	A	G	G	G	G	G	G
Sodium hydrochloride	G	U	A	U	G	A	G	G
Sodium hydroxide (max 25%)	G	U	G	G	U	U	G	/
Sodium hypochlorite	G	U	U	U	U	A	G	G
Soft Drinks	G	G	G	G	G	G	G	G
Spirits	G	G	G	G	G	G	G	G
Sulphide acid	U	U	U	U	U	G	U	G
Toluene	U	U	U	U	G	G	A	G
Turpentine	U	G	G	G	U	G	A	/
Vegetable juices	G	A	G	G	G	G	G	G
Vinegar	G	U	A	U	G	G	G	G
Whisky	G	G	G	G	G	G	G	G
Wine	G	G	G	G	G	G	G	G
Xilol	U	U	U	U	U	G	U	U

### LEGENDA

G: Good / A: Average / U: Unsatisfactory

# LF-LFA



Materials

## Description

### Low friction Acetal Resin.

This material can be used in all common applications.

**Colour:** Light Brown for Chains, RAL 5014 for Belts.

**Primary Components:** POM

## General information

Material abbreviation	Material	Chemical abbreviation	Allowable application temperatures						FDA Approval
			Fahrenheit			Celsius			
			Min	Max		Min	Max		
				Dry	Wet		Dry	Wet	
LF	Low friction acetal	POM	-40	176	149	-40	80	65	YES
LFA	Low friction acetal	POM	-40	176	149	-40	80	65	YES

## Friction Factors Between Material and Product

Lubrication	Product Material					
	Paper & carton	Metal (steel)	Aluminium	Plastics & PET	Glass (returnable)	Glass (new)
Dry	0,28	0,25	0,25	0,21	0,24	0,20
Water	n.a.	0,20	0,18	0,16	0,18	0,15
W&s & Dry lube	n.a.	0,15	0,14	0,13	0,14	0,12
Oil	n.a.	0,10	n.a.	n.a.	n.a.	n.a.

## Friction Factors Between Material and Product

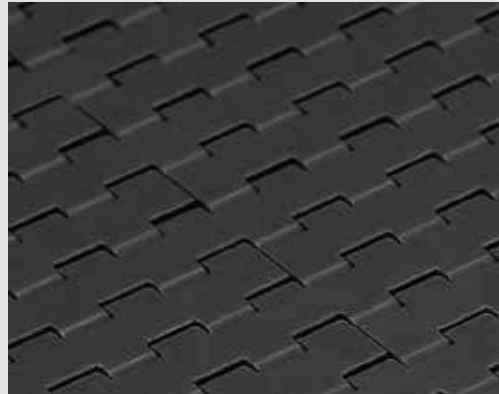
Lubrication	Wearstrip Material		
	Stainless steel	UHMW-PE & PA	BluLub®
Dry	0,24	0,20	0,18
Water	0,19	0,16	0,14
W&s & Dry lube	0,15	0,10	0,10
Oil	0,10	0,10	0,10

### Note

Material properties and performance of final product are subject to variation according to operating conditions, e.g. environmental conditions, chemicals, cleanliness.



## MX



Materials

### Description

**Extra Performance material (PBT with additives)** with a very low coefficient of friction and improved wear resistance. Recommended for high speed and dry running applications.

**Colour:** Grey (RAL 7024)

**Primary Components:** PBT

### General information

Material abbreviation	Material	Chemical abbreviation	Allowable application temperatures						FDA Approval
			Fahrenheit			Celsius			
			Min	Max		Min	Max		
				Dry	Wet		Dry	Wet	
MX	Performance PBT	PBT	-40	248	140	-40	120	60	YES

### Friction Factors Between Material and Product

Lubrication	Product Material					
	Paper & carton	Metal (steel)	Aluminium	Plastics & PET	Glass (returnable)	Glass (new)
Dry	0,20	0,18	0,15	0,13	0,14	0,12
Water	n.a.	0,16	0,14	0,12	0,13	0,12
W&s & Dry lube	n.a.	0,13	0,12	0,10	0,11	0,10
Oil	n.a.	0,10	n.a.	n.a.	n.a.	n.a.

### Friction Factors Between Material and Product

Lubrication	Wearstrip Material		
	Stainless steel	UHMW-PE & PA	BluLub®
Dry	0,20	0,16	0,13
Water	0,17	0,11	0,09
W&s & Dry lube	0,14	0,09	0,08
Oil	0,10	0,10	0,10

#### Note

Material properties and performance of final product are subject to variation according to operating conditions, e.g. environmental conditions, chemicals, cleanliness.

# MPX



Materials

## Description

**High performance Material with a low coefficient of friction.**

*This material can increase wear life 25% over LF material.*

**Colour:** Brown

**Primary Components:** POM

## General information

Material abbreviation	Material	Chemical abbreviation	Allowable application temperatures						FDA Approval
			Fahrenheit			Celsius			
			Min	Max		Min	Max		
				Dry	Wet		Dry	Wet	
MP	Lucricated Acetal	POM	-40	176	149	-40	80	65	YES

## Friction Factors Between Material and Product

Lubrication	Product Material					
	Paper & carton	Metal (steel)	Aluminium	Plastics & PET	Glass (returnable)	Glass (new)
Dry	0,24	0,22	0,21	0,19	0,21	0,16
Water	n.a.	0,19	0,17	0,15	0,17	0,14
W&s & Dry lube	n.a.	0,15	0,14	0,13	0,13	0,12
Oil	n.a.	0,10	n.a.	n.a.	n.a.	n.a.

## Friction Factors Between Material and Product

### Note

Material properties and performance of final product are subject to variation according to operating conditions, e.g. environmental conditions, chemicals, cleanliness.

## DKM



Materials

### Description

**Aramide reinforced acetal material**

*It's commonly used in dry running glass handling applications.*

**Colour:** Grey

**Primary Component:** POM

### General information

Material abbreviation	Material	Chemical abbreviation	Allowable application temperatures						FDA Approval
			Fahrenheit			Celsius			
			Min	Max		Min	Max		
				Dry	Wet		Dry	Wet	
DKM	Aramide reinforced acetal	POM	-40	176	149	-40	80	65	-

### Friction Factors Between Material and Product

Lubrication	Product Material					
	Paper & carton	Metal (steel)	Aluminium	Plastics & PET	Glass (returnable)	Glass (new)
Dry	0,21	0,19	0,16	0,20	0,15	0,13
Water	n.a.	0,17	0,15	0,15	0,14	0,13
W&s & Dry lube	n.a.	0,14	0,13	0,13	0,12	0,11
Oil	n.a.	0,10	n.a.	n.a.	n.a.	n.a.

### Friction Factors Between Material and Product

Lubrication	Wearstrip Material		
	Stainless steel	UHMW-PE & PA	<i>BluLub</i> ®
Dry	0,21	0,19	0,17
Water	0,18	0,15	0,14
W&s & Dry lube	0,15	0,11	0,11
Oil	0,10	0,10	0,10

#### Note

Material properties and performance of final product are subject to variation according to operating conditions, e.g. environmental conditions, chemicals, cleanliness.

# MWX



Materials

## Description

**MWX increases wear life**

Used in applications where chain is subject to abrasives conditions such as glass sand and dirt.

**Colour:** Black

**Primary Component:** Nylon (PA)

## General information

Material abbreviation	Material	Chemical abbreviation	Allowable application temperatures						FDA Approval
			Fahrenheit			Celsius			
			Min	Max		Min	Max		
				Dry	Wet		Dry	Wet	
MWX	Polyamid Composite	PA	-40	219	N.R.	-40	104	N.R.	-

## Friction Factors Between Material and Product

Lubrication	Product Material					
	Paper & carton	Metal (steel)	Aluminium	Plastics & PET	Glass (returnable)	Glass (new)
Dry	0,24	0,21	0,18	0,15	0,17	0,14
Water	n.a.	0,19	0,17	0,14	0,15	0,14
W&s & Dry lube	n.a.	0,15	0,14	0,12	0,13	0,12
Oil	n.a.	0,10	n.a.	n.a.	n.a.	n.a.

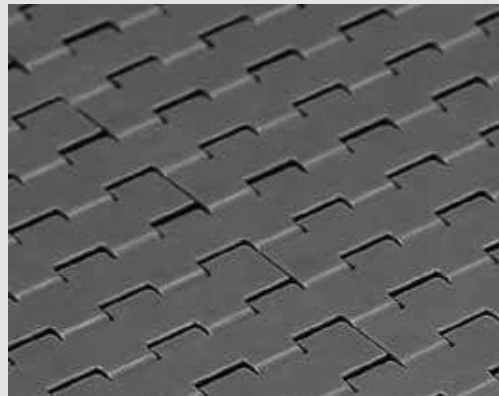
## Friction Factors Between Material and Product

Lubrication	Wearstrip Material		
	Stainless steel	UHMW-PE & PA	BluLub®
Dry	0,24	0,19	0,15
Water	0,20	0,13	0,11
W&s & Dry lube	0,17	0,11	0,09
Oil	0,10	0,10	0,10

### Note

Material properties and performance of final product are subject to variation according to operating conditions, e.g. environmental conditions, chemicals, cleanliness.

## PP



Materials

### Description

#### Polypropylene

for better chemical resistance and higher temperatures.

**Colour:** Grey

**Primary Component:** PP

### General information

Material abbreviation	Material	Chemical abbreviation	Allowable application temperatures						FDA Approval
			Fahrenheit			Celsius			
			Min	Max		Min	Max		
				Dry	Wet		Dry	Wet	
PP	Polypropylene	PP	40	220	212	4	104	100	YES

### Friction Factors Between Material and Product

Lubrication	Product Material					
	Paper & carton	Metal (steel)	Aluminium	Plastics & PET	Glass (returnable)	Glass (new)
Dry	0,40	0,30	0,32	0,28	0,29	0,26
Water	n.a.	0,24	0,26	0,22	0,23	0,21
W&s & Dry lube	n.a.	0,20	0,20	0,18	0,19	0,18
Oil	n.a.	0,10	n.a.	n.a.	n.a.	n.a.

### Friction Factors Between Material and Product

Lubrication	Wearstrip Material		
	Stainless steel	UHMW-PE & PA	BluLub®
Dry	0,29	0,24	0,21
Water	0,23	0,19	0,17
W&s & Dry lube	0,19	0,13	0,13
Oil	0,10	0,10	0,10

#### Note

Material properties and performance of final product are subject to variation according to operating conditions, e.g. environmental conditions, chemicals, cleanliness.

# PPX



Materials

## Description

### Reinforced Polypropylene

for improved heat stability and chemical resistance.

Colour: Green

Primary Component: PP

## General information

Material abbreviation	Material	Chemical abbreviation	Allowable application temperatures						FDA Approval
			Fahrenheit			Celsius			
			Min	Max		Min	Max		
				Dry	Wet		Dry	Wet	
PPX	Reinforced Polypropylene	PP	40	220	212	4	104	100	YES

## Friction Factors Between Material and Product

Lubrication	Product Material					
	Paper & carton	Metal (steel)	Aluminium	Plastics & PET	Glass (returnable)	Glass (new)
Dry	0,40	0,30	0,32	0,28	0,29	0,26
Water	n.a.	0,24	0,26	0,22	0,23	0,21
W&s & Dry lube	n.a.	0,20	0,20	0,18	0,19	0,18
Oil	n.a.	0,10	n.a.	n.a.	n.a.	n.a.

## Friction Factors Between Material and Product

Lubrication	Wearstrip Material		
	Stainless steel	UHMW-PE & PA	BluLub®
Dry	0,29	0,24	0,21
Water	0,23	0,19	0,17
W&s & Dry lube	0,19	0,13	0,13
Oil	0,10	0,10	0,10

### Note

Material properties and performance of final product are subject to variation according to operating conditions, e.g. environmental conditions, chemicals, cleanliness.