

TOGGLE CLAMP WITH HORIZONTAL BASE

Description For easy and secure fixation of workpieces with rotating movement
 Handle and base position: horizontal

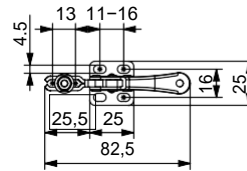
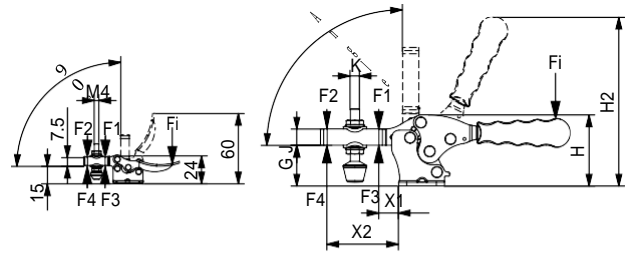
Material Clamp: Steel / stainless steel
 Rivets: Stainless steel SS304
 Handle grip: PUR
 Clamping rubber: Silicone free NR

Surface Clamp: Zinc plated / plain / black passivated

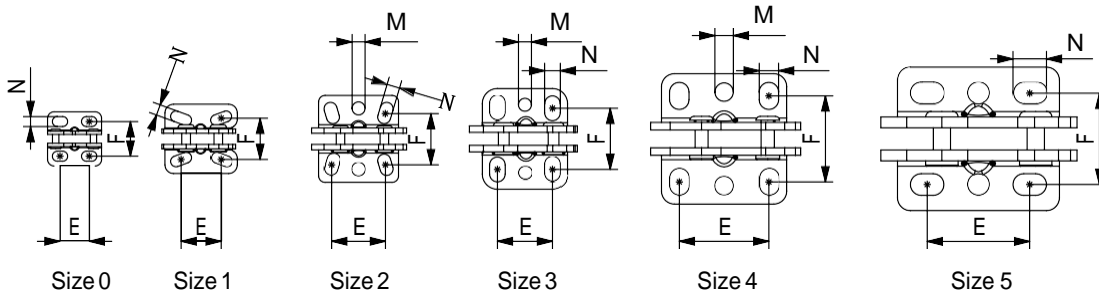
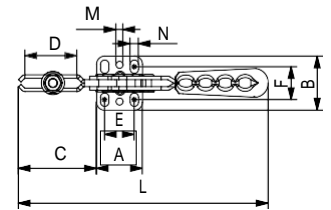
Color Handle: Red
 Clamping rubber: Black

Pack Quantity 1 piece

Specials Clamp with lock on request



Size 0, with metal handle



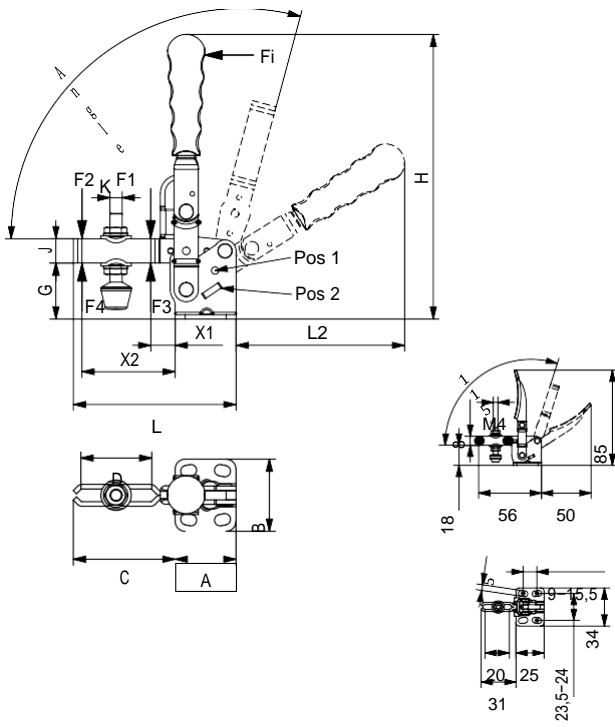
Size	A [mm]	B [mm]	C [mm]	D [mm]	E [mm]	F [mm]	G [mm]	H [mm]	H2 [mm]	J [mm]	K [mm]	L [mm]	M [mm]	N [mm]	X1 [mm]	X2 [mm]
0	25	25	25,5	13	11 - 16	16	15	24	60	7,5	M4	82,5		4,5 x 7	11	18
1	33,5	32	43	28	14 - 23	17,5 - 20,5	21	40	95	10	M5	148		5 x 10	15	33
2	37	40	66	47	23,7 - 26	20 - 27,5	28	51	110	14	M6	184	Ø 6	6 x 10	19	54
3	39,5	46,5	68	42	25,5	24 - 32,5	34	61	136	14	M 8	215	Ø 6	7 x 11,5	25	53
4	58	60	100	73	41,5	36 - 43	45	82	175	19	M10	296	Ø 8,5	9 x 12,5	27	83
5	75	66	129	92	42 - 53		42	55	218	25,5	M12	345	Ø 10	10 x 15,5	37	107

Size	F1 [N]	F2 [N]	F3 [N]	F4 [N]	X1 [F1 : Fi]	X2 [F2 : Fi]	Screw	Angle (±5°) [°]	Weight [g]	Part # Zinc plated steel	on request	
											Part # Stainless steel	Part # Black
0	450	300	520	350	5:1	2:1	M4 x 25	90	42	PB00H0VLSZ		
1	850	650	1000	800	7:1	3:1	M5 x 35	90	125	PB00H1VLSZ		
2	1000	750	1200	1000	7:1	3:1	M6 x 40	90	225	PB00H2VLSZ		
3	2300	1250	2500	1350	8:1	4:1	M8 x 50	90	340	PB00H3VLSZ		
4	3500	1800	3650	2000	9:1	4:1	M10 x 70	90	810	PB00H4VLSZ		
5	4500	2000	5000	2125	10:1	5:1	M12 x 80	90	1520	PB00H5VLSZ		

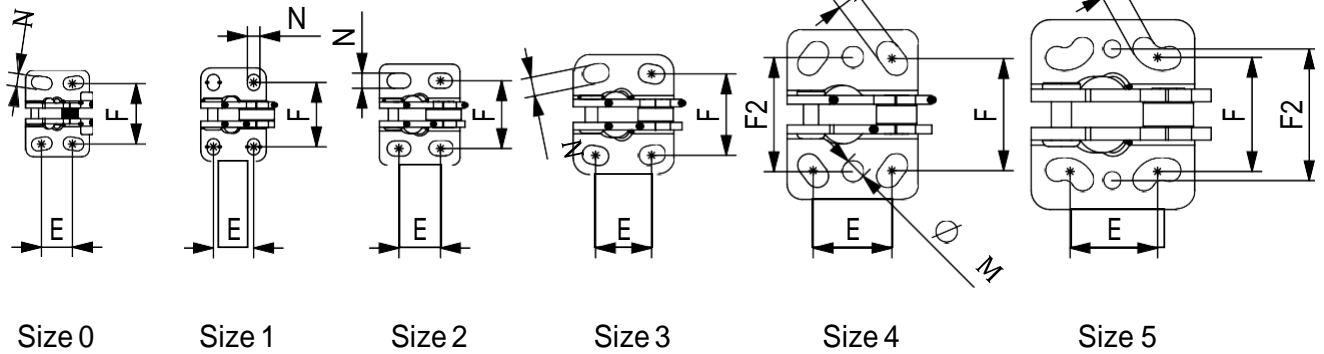
on request

F1 - F2 : Exerting force, F3 - F4 : Holding capacity, Fi : Applied force

TOGGLE CLAMP WITH HORIZONTAL BASE



Size 0 with metal handle



Size 0

Size 1

Size 2

Size 3

Size 4

Size 5

Size	A [mm]	B [mm]	C [mm]	D [mm]	E [mm]	F [mm]	F2 [mm]	G [mm]	H [mm]	J [mm]	K	L [mm]	L2 [mm]	M [mm]	N [mm]	X1 [mm]	X2 [mm]
0	25	34	31	20	9-15,5	23,5-24		18	85	8	M4	56	50		5 x 8	11	22
1	26	37	44	26	16	24-27	25,5	23	125	10	M5	70	75	Ø5	5 x 6,5	18	34
2	32	40	62	42	13-20	27	27	26	141	13	M6	94	85	Ø4	6 x 9,5	20	50
3	40	47,5	67	42	19-25	31,5-32,5	32,3	37	187	16	M8	107	110	Ø5	7,5 x 10,5	25	52
4	52	67	100	67	28-34,5	40-48,5	45,2	47	240	20	M10	152	160	Ø5	9 x 14,5	34	82
5	65	75	130	88	24,5-45	44,5-52	52	58	263	25	M12	195	165	Ø6	9 x 19,5	42	107

Size	F1 [N]	F2 [N]	F3 [N]	F4 [N]	X1 [F1 : Fi]	Fi X2 [F2 : Fi]	Screw	Angle (± 5°)		Weight [g]	Part # Zinc plated steel	Part # Stainless steel	Part # Black
								Pos 1 [°]	Pos 2 [°]				
0	550	350	700	455	10:1	5:1	M4 x 25	115		80	on request		
1	750	500	1000	680	12:1	8:1	M5 x 35	105		155	on request		
2	1200	700	1400	925	12:1	7,5:1	M6 x 40	105		230	PB90H2VLSZ		on request
3	2000	1400	2500	1560	11:1	8:1	M8 x 50	105		415	PB90H3VLSZ		on request
4	3000	2000	3300	2200	11,5:1	8:1	M10 x 70	135	105	900	PB90H4VLSZ		on request
5	4500	2500	5000	3000	12:1	7:1	M12 x 80	135	105	1540	on request		on request

F1 - F2 : Exerting force, F3 - F4 : Holding capacity, Fi : Applied force

Manual Latch Toggle Clamps

LIGHT DUTY LATCH TOGGLE CLAMP

Description For easy and secure fixation of workpieces or doors with pulling force
Handle and base position: horizontal

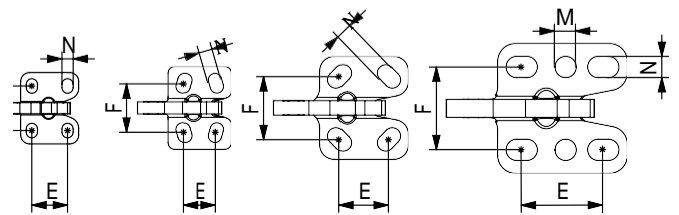
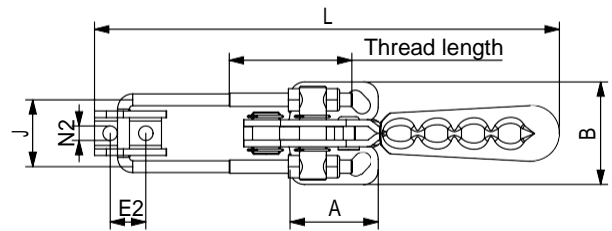
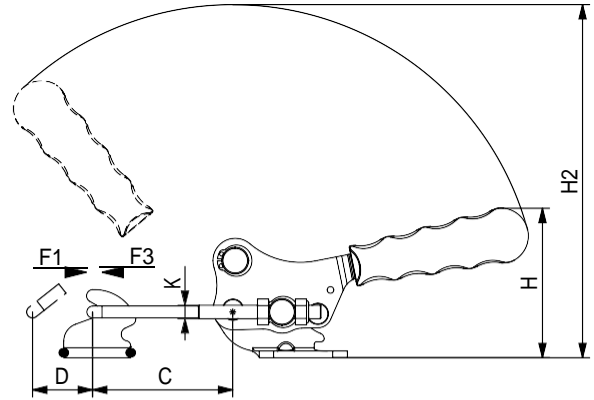
Material Clamp: Steel / stainless steel
Joint pin: Steel / stainless steel
U hook: Steel / stainless steel
Handle grip: PUR

Surface Clamp: Zinc plated / plain / black passivated

Color Handle: Red

Pack Quantity 1 piece

Specials Clamp with lock on request



Size 1

Size 2

Size 3

Size 4 and 5

Size	A [mm]	B [mm]	C min. [mm]	C max. [mm]	D [mm]	E [mm]	E2 [mm]	F [mm]	G [mm]	H [mm]	H2 [mm]	J [mm]	K [mm]	L min. [mm]	L max. [mm]	M [mm]	N [mm]	N2 [mm]
1	26	32	35	65	20	16	10	18,5 - 21,5	13	55	110	23	M4	135	165		5 x 6,5	Ø5
2	28	37	32	62	25	13 - 15	10 - 14	19 - 24,5	17	58	120	23	M4	142	172		6 x 9	5,5 x 7,5
3	39,5	46	32	67	35	19 - 25	16	25 - 31	21,5	67	160	30	M6	177	212		7,5 x 11,5	Ø6,5
4	58	58	45	95	44	32 - 41	18 - 21	37	27,5	91	200	43	M8	233	282	Ø9,5	9,5 x 14	8,5 x 10
5	58	58	45	127	44	32 - 41	18 - 21	37	27,5	93,5	204,5	45	M10	233	315	Ø9,5	9,5 x 14	8,5 x 10

Size	F1 [N]	F3 [N]	Thread length [mm]	Weight [g]	Part # Zinc plated steel	Part #	
						Stainless steel	Black
1	1000	1500	45	135	on request	on request	
2	1500	2000	45	175	on request		
3	2200	3200	75	335	on request		
4	7000	8000	95	815	PB00H4VBZ		
5	10000	11000	110	1185	on request		

F1: Exerting force, F3: Holding capacity, (Stainless steel latch clamps have 30% less tensile strength)

HEAVY DUTY LATCH TOGGLE CLAMP

Description For easy and secure fixation of workpieces or doors with pulling force
Handle and base position: horizontal

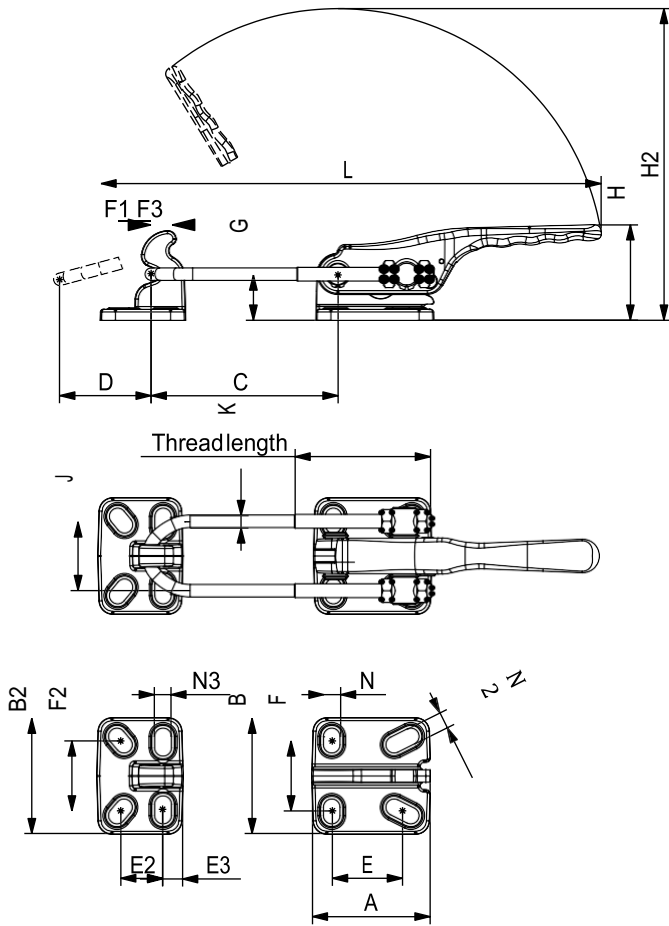
Material Clamp and counter piece: Cast steel (EN-GJS-600-3)
Joint pin: Zinc plated steel
U hook: Zinc plated steel

Surface Clamp and counter piece: Powder coated
Color Black

Pack Quantity 1 piece

Specials Clamp with lock on request

1



Size [mm]	A [mm]	A2 [mm]	B [mm]	B2 [mm]	C min. [mm]	C max. [mm]	D [mm]	E [mm]	E2 [mm]	E3 [mm]	F [mm]	F2 [mm]	G [mm]	H [mm]	H2 [mm]	J [mm]	K [mm]	L min. [mm]	L max. [mm]	N [mm]	N2 [mm]	N3 [mm]
4	86	62	84	84	50	135	80	45 - 57	28 - 33	15	45 - 57	45 - 57	33,5	69	230	50	M10	280	365	11 x 17	11 x 24	11 x 19
5	86	66	84	84	50	70	80	45 - 57	28 - 35	20	45 - 57	45 - 57	33,5	89	230	56	M12	280	298	11 x 17	11 x 24	11 x 19

F1 F3 Thread length Weight Part#

Size	[N]	[N]	[mm]	[g]	
4	15000	17000	130	1850	on request
5	20000	25000	65	2235	PB00H5SBZ

Manual Push-Pull Toggle Clamps

Light Duty Push-Pull Toggle Clamps

PUSH-PULL CLAMP WITHOUT BASE

Description For easy and secure fixation of workpieces with pushing force
Handle position: vertical; without base

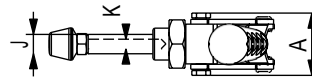
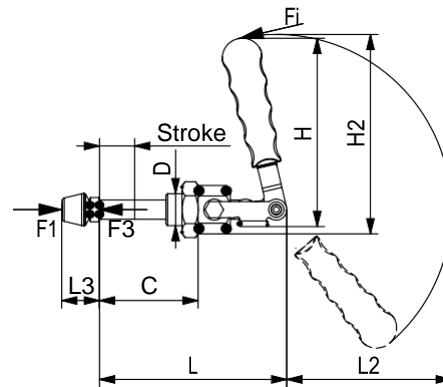
Material Clamp: Steel / stainless steel
Rivets: Stainless steel SS304
Handle grip: PUR
Clamping rubber: Silicone free NR

Surface Clamp: Zinc plated / plain / black passivated

Color Handle: Red
Clamping rubber: Black

Pack Quantity 1 piece

Tip Compatible bases see page 38 et sq.



Size	A [mm]	C [mm]	D [mm]	H [mm]	H2 [mm]	J [mm]	K [mm]	L [mm]	L2 [mm]	L3 min. [mm]	L3 max. [mm]
1	28	37	M12 x 1,5	69	82	8	M5	73	68,5	15	38
2	32	46	M16 x 1,5	81,5	97	10	M6	89	80	19	46
3	39	61	M20 x 1,5	100	103	12	M8	116	80	24	58
5	47	81	M24 x 1,5	131	159	14	M10	155	135	32	74
6	51	81	M24 x 1,5	131	159	16	M10	155	135	32	74

Size	F1 [N]	F3 [N]	Fi [F1:Fi]	Screw	Stroke [mm]	Weight [g]	Part# Zinc plated steel	Part# Stainless steel	Part# Black
1	800	970	24:1	M5 x 35	22	95	on request	on request	
2	1500	1700	26:1	M6 x 40	27	200	on request		
3	2500	2640	27:1	M8 x 50	38	360	PB90B3VLSZ		
5	3500	3700	38:1	M10 x 70	53	710	on request		
6	4500	4650	38:1	M10 x 70	53	780	on request		

F1: Exerting force, F3: Holding capacity, Fi: Applied force

Manual Push-Pull Toggle Clamps

Light Duty Push-Pull Toggle Clamps

PUSH-PULL CLAMP WITH HORIZONTAL BASE

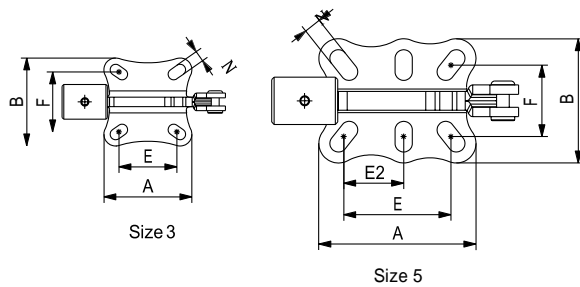
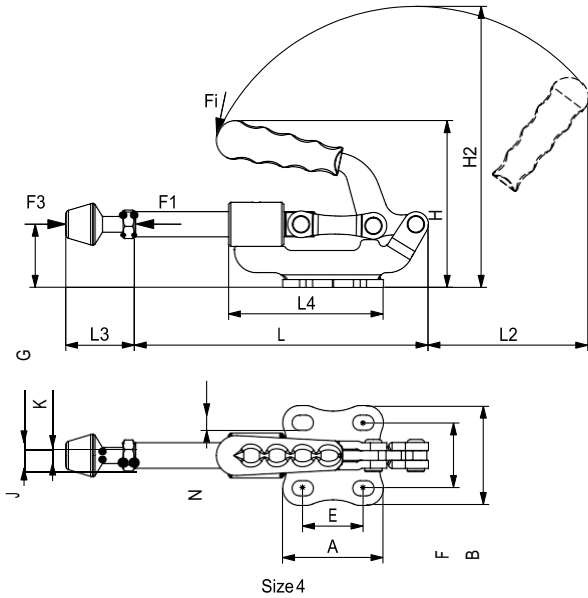
Description For easy and secure fixation of workpieces with pushing force
Handle and base position: horizontal

Material Clamp: Steel
Rivets: Stainless steel SS304
Handle grip: PUR
Clamping rubber: Silicone free NR

Surface Clamp: Zinc plated

Color Handle: Red
Clamping rubber: Black

Pack Quantity 1 piece



Size	A [mm]	B [mm]	E [mm]	E2 [mm]	F [mm]	G [mm]	H [mm]	H2 [mm]	J [mm]	K [mm]	L [mm]	L2 [mm]	L3 min.	L3 max.	L4	N
3 Ø 12	56	56	32,5 - 41		35 - 41	32	88	142	12	M8	154	85	24	58	83	7 x 12
3 Ø 14	56	56	32,5 - 41		35 - 41	32	88	142	14	M8	154	85	24	58	83	7 x 12
4 Ø 16	64	62	34,5 - 42,5		41	40	107	179	16	M10	186	105	32	81	98	9,5 x 13,5
4 Ø 18	64	62	34,5 - 42,5		41	40	107	179	18	M10	186	105	32	81	98	9,5 x 13,5
5 Ø 20	100	79	61,5 - 75	34,5 - 41,5	37 - 54	47	125	216	20	M12	234	125	39	94	130	11 x 22

Size	F1 [N]	F3 [N]	Fi [F1 : Fi]	Screw	Stroke [mm]	Weight [g]	Part #
3 Ø12	2500	2960	16:1	M8 x 50	38	390	PB00H312VLSZ
3 Ø14	2500	3200	16:1	M8 x 50	38	405	on request
4 Ø16	4500	6650	23:1	M10 x 70	47	810	PB00H416VLSZ
4 Ø18	4500	7200	23:1	M10 x 70	47	825	on request
5 Ø20	7500	15000	30:1	M12 x 80	55	1425	on request

F1 - F2 : Exerting force, F3 - F4 : Holding capacity, Fi : Applied force