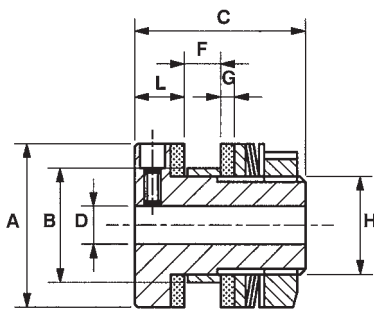


Standard Torque Limiters

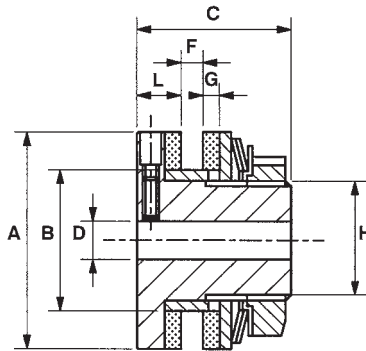


Metric Series Torque Limiters

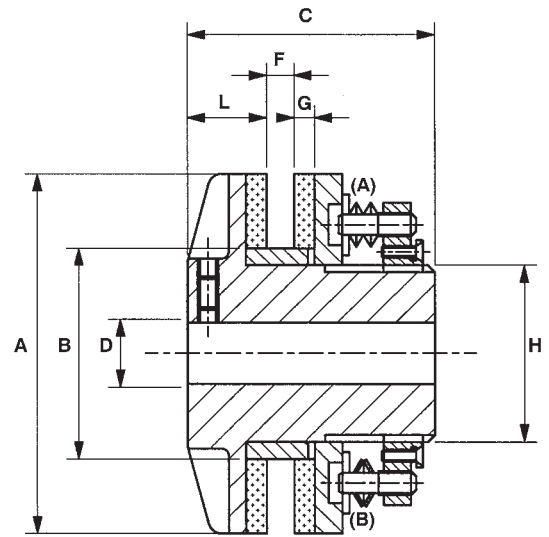
To extend the range of torque capability a new series of Torque Limiters is offered providing both smaller and larger sized units with a range of 1.5 to 10,000 Nm. These units are all to metric dimensions, and as with the original series are available with a roller chain coupling for shaft to shaft connection. For Torque Limiter selection refer to page 6.



Models M30



Models M40 & M45



Models M200/254/280

Dimensions

Model	Torque min	Torque max	Stock bore	Max Bore with Std Keyway	A	Bk7	C	Bush Length	F		G	L	H	Approx. Weight
	Nm	Nm							mm	mm				
M30-2	3*	10*	4.5	11	30	21	31	5.8	6.0 ⁽²⁾	7.2	2.5	9.0	18	0.10
M40-1	4	15	7.0	14	40	26	28	7.0	3.5	5.0 ⁽¹⁾	2.8	8.0	22	0.16
M40-2	7	28												
M40-3	10	40												
M45-1	7	30	7.0	20	45	35	33	8.8	4.5	5.8 ⁽¹⁾	3.0	8.5	32	0.19
M45-2	13	55												
M45-3	17	70												
M200-24(A)†	440	2200	35.0	80	200	120	105	28.0	20.0 ⁽²⁾	22.0	5.0	27.0	110	16.50
M200-24(B)†	800	4000												
M254-32(A)†	760	3800	48.0	90	254	140	120	31.8	23.8 ⁽²⁾	26.0	5.0	33.0	125	21.00
M254-32(B)†	1350	6800												
M280-32(A)†	1100	5500	48.0	120	280	170	120	31.8	23.8 ⁽²⁾	26.0	5.0	33.0	155	26.00
M280-32(B)†	2000	10000												

*Torque values can be halved by facing springs towards one another.

†Torque values determined by positioning of springs, refer to drawings.

⁽¹⁾Torque Limiters with 1 & 2 springs can accommodate thicker platewheels, (up to 2mm max), but extra care must be exercised to ensure that bush supports both friction facings, and use second bush if required.

⁽²⁾Min. width can be reduced by reducing bush length.

Tel: +44 121 360 0155

Fax: +44 121 325 1079

Email: sales@crossmorse.com